

TOUCH 'N' GO DIGITAL SINGLE-FAN CONTROLLER

KEY FEATURES

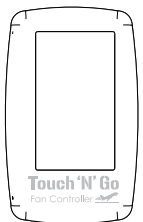


- Control one fan
- Operate your fans in either forward or reverse
- 0-100% speed control
- Easily mounts to wall or electric gang box
- Fully digital interface
- Password lockout capability
- 50 ft. of 4-core cable supplied for installation

TECHNICAL SPECIFICATIONS

Power Supply	24V Power
Dimensions	3.6" W x 5.9" H x 1.05" D
Weight	0.5 lb.
Language Protocol	0-10v signal/CAN
User Interface	4.3" digital touchscreen
Display Resolution	272 x 480 pixels
Enclosure	High impact molded ABS
Fans/Control	Single fan control
Connections	4-core shielded wire
Max Cable Length	100 Ft
Rating	IP30

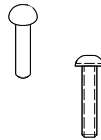
TOUCH 'N' GO PACKAGE CONTENTS & ASSEMBLY



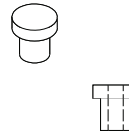
A. TNG Control
(x1)



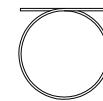
B. Mounting Plate
(x1)



C. #6-32 x 5/8" Flat Head Screws (x4)



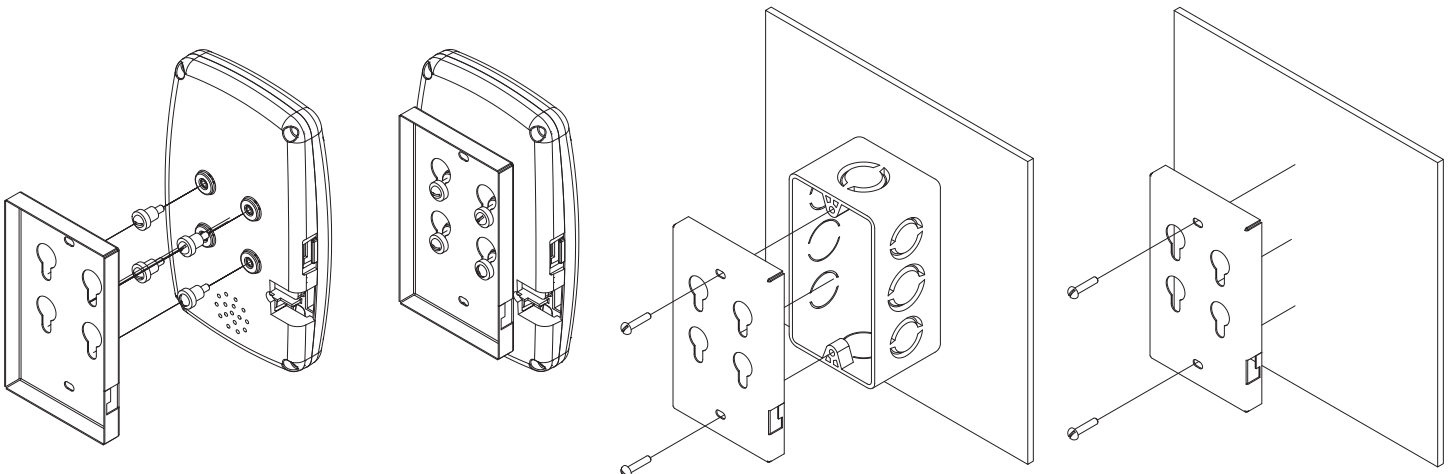
D. Rubber Grommets (x4)



E. Control Cable
(50 ft)

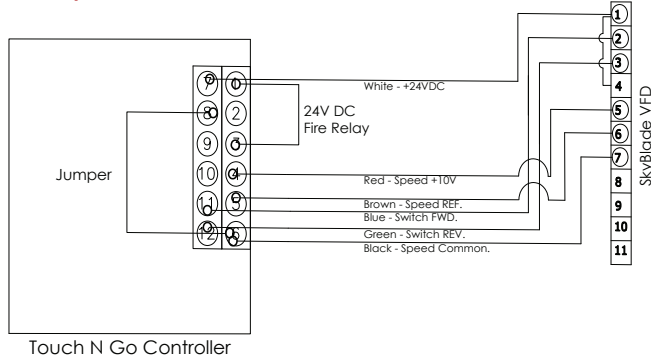


F. Power Supply
(Direct Drive only)

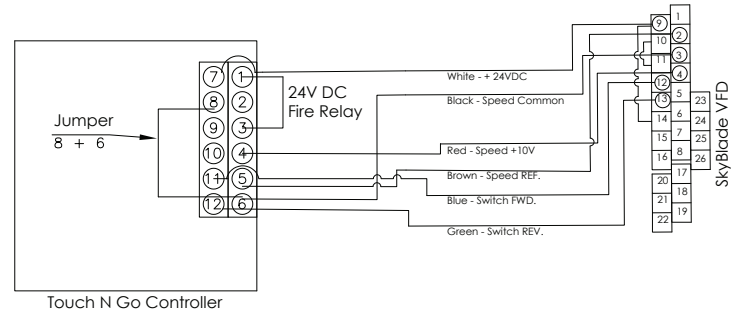


WIRING DIAGRAM - GEARED DRIVE FAN

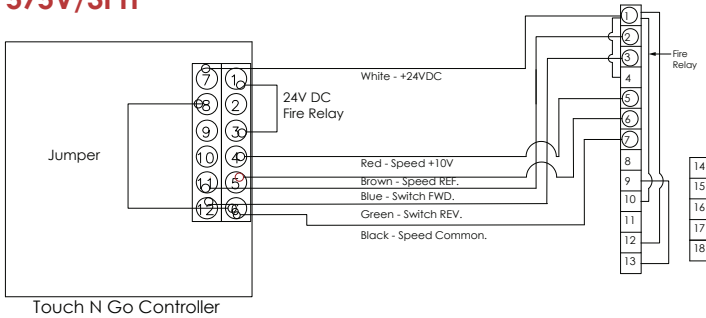
120V/1PH



230V/1PH, 230V/3PH, & 460V/3PH

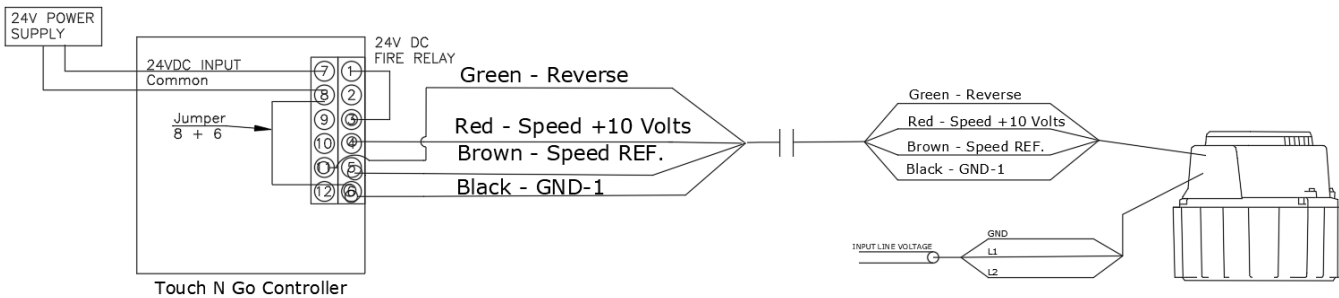


575V/3PH



WIRING DIAGRAM - DIRECT DRIVE FAN

120V/1 PH & 230V/1 PH



230V/3 PH, 460V/3 PH & 575V/3PH

