



AUTOPILOT

Geared Drive, Multi-Fan Controller

KEY FEATURES

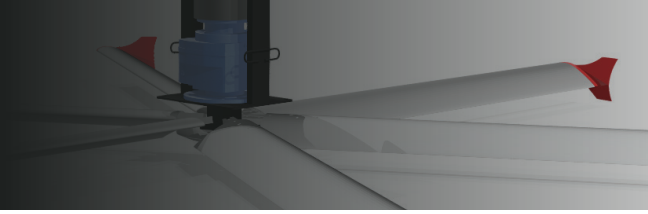
- Control up to 24 fans.
- Set fans to start and stop together on a schedule.
- Set automatic mode to auto-adjust fan speed to maintain temperature.
- Password enabled.
- Ties into existing fire suppression system to shut down in case of emergency.
- Can create custom names for each fan.
- Touchscreen interaction.

CONTROLLER SPECIFICATIONS

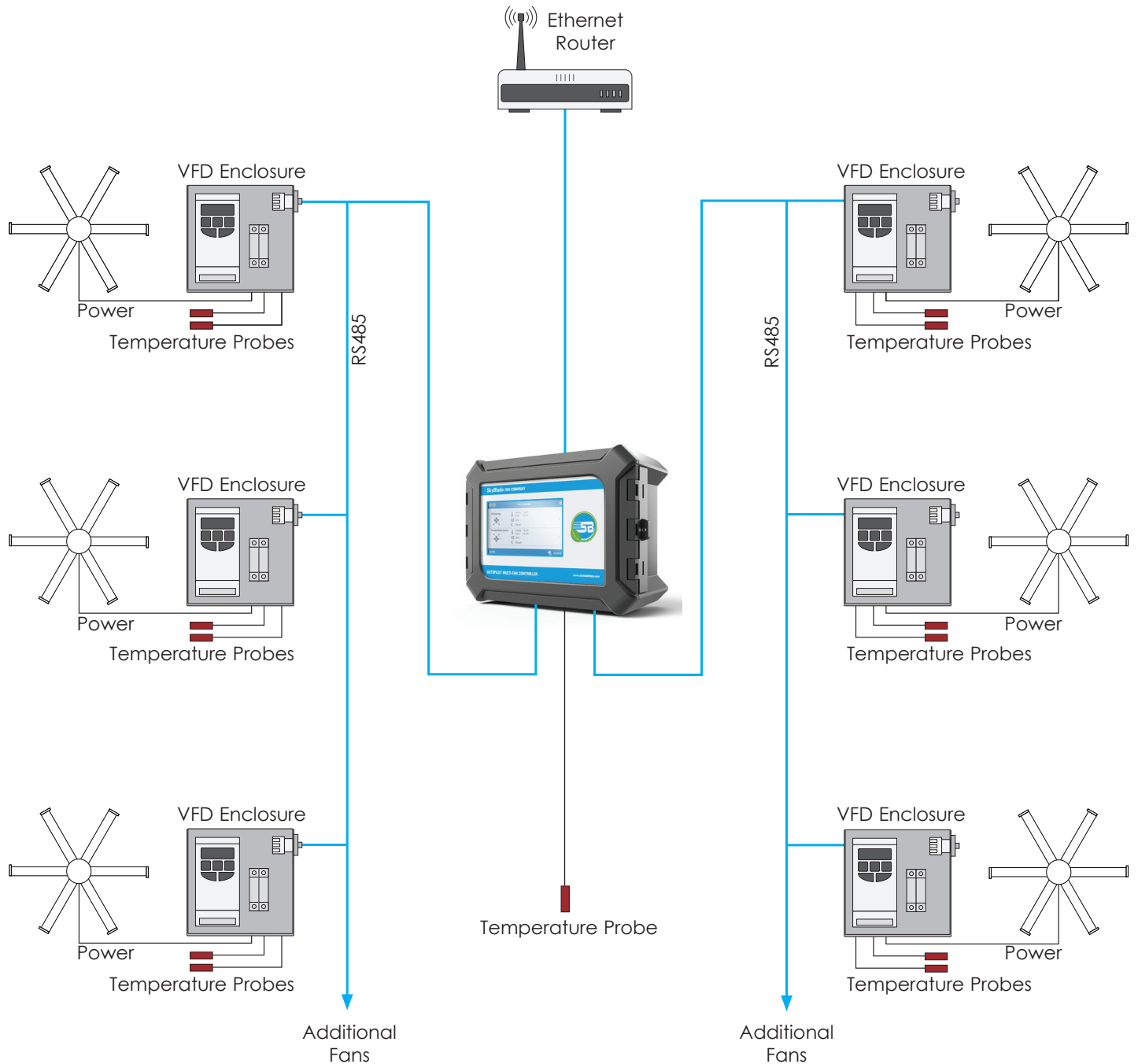
Power Supply	90-250V 50/60 Hz.	Display Resolution	800 x 480 pixels
Dimensions	13.5" W x 10" H x 6" D (343 mm x 254 mm x 153 mm)	Power Consumption	25W
Weight	5.3 lbs. (2.4 kg)	Fans/Control	Maximum 24 fans; 12 fans per leg
Language Protocol	Modbus RS485 communication	Temperature Inputs	Two local inputs. Up to 48 remote inputs
Touchscreen Size	6" W x 3.375" H (153 mm x 86 mm)	Enclosure Rating	B1 standard splash proof
Display Operating Temp.	32°F - 105°F (0°C - 40.5°C)	Protection Rating	NEMA 4x

AUTOPILOT

Geared Drive, Multi-Fan Controller



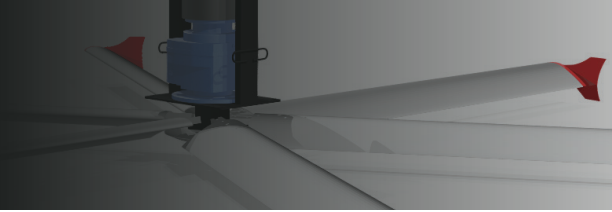
INTEGRATION



NOTE: Representational diagram only. Not for field wiring.

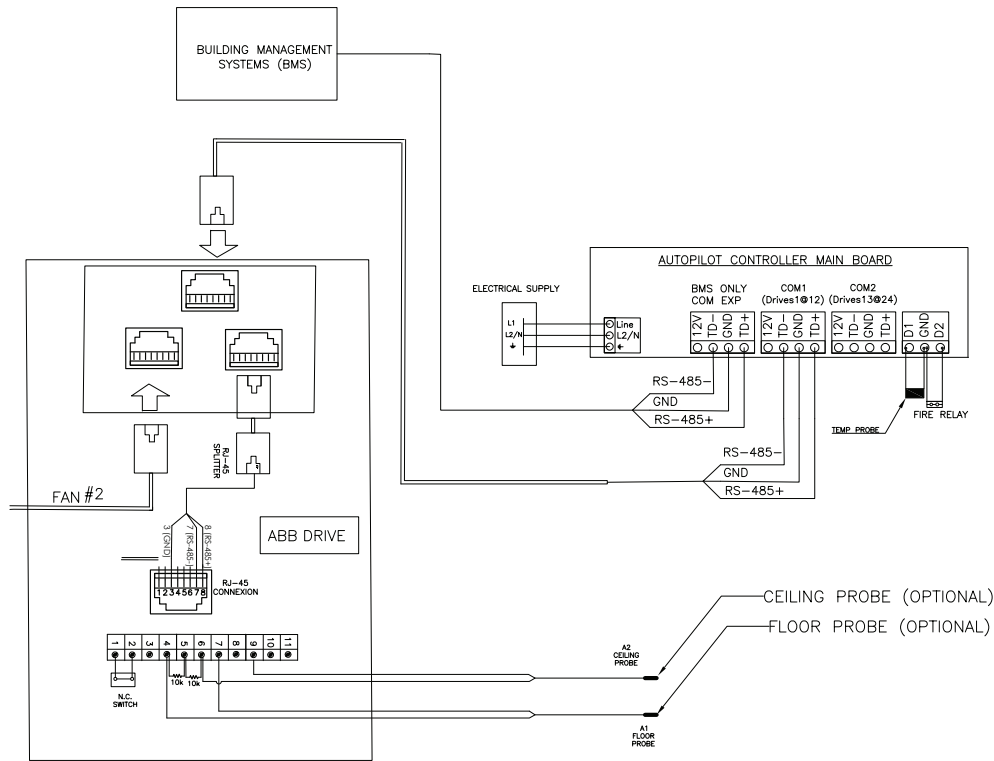
AUTOPILOT

Geared Drive, Multi-Fan Controller



INTERNAL WIRING DIAGRAMS

120V/1PH

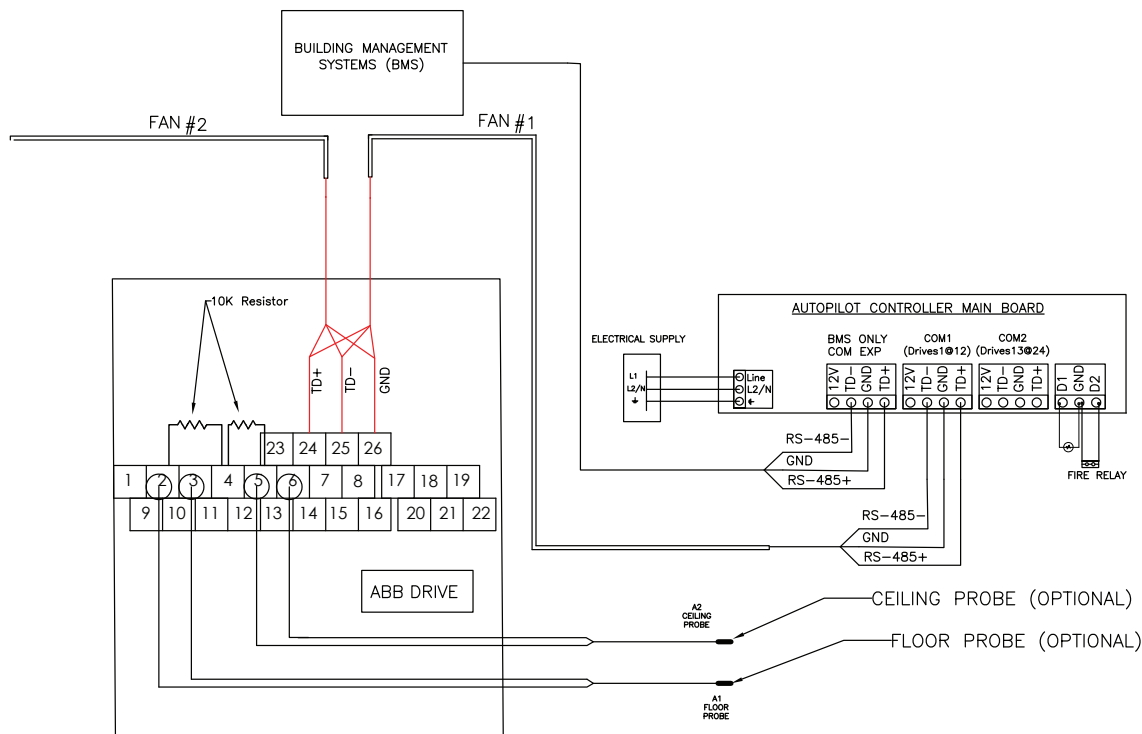


Temperature Sensors:

Temp Floor = A1

Temp Ceiling = A2

230V/1PH, 230V/3PH & 460V/3PH



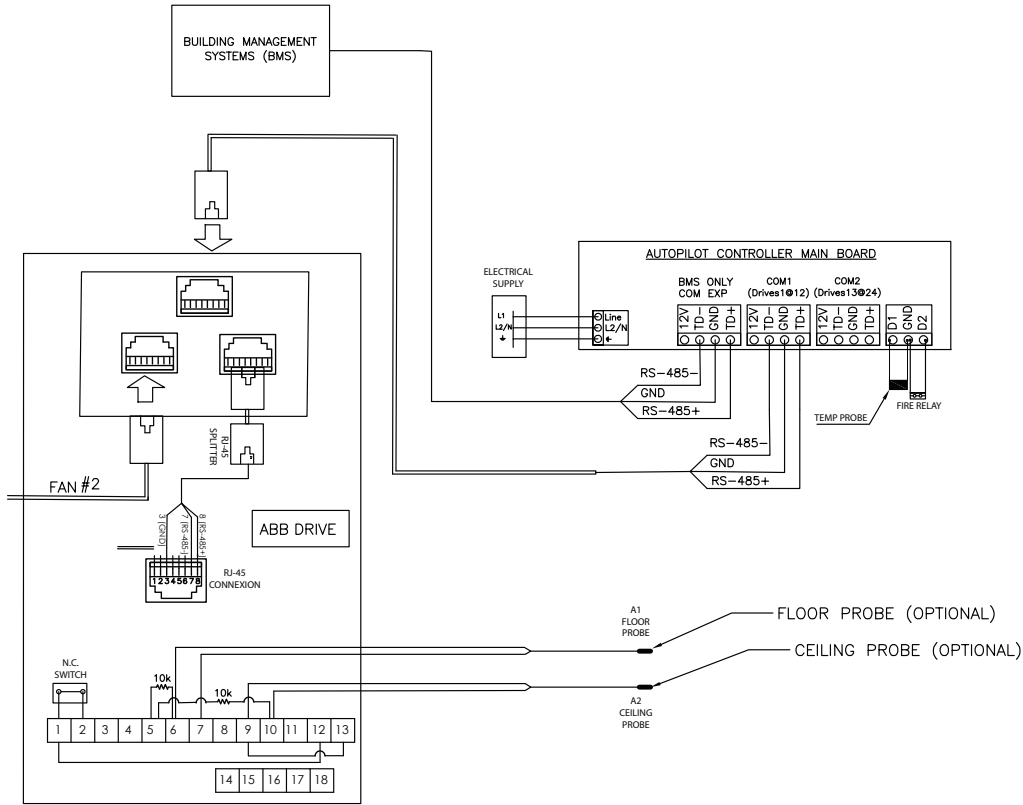
NOTE: Temp Probes & resistors optional but required for Automatic modes.

AUTOPILOT

Geared Drive, Multi-Fan Controller

INTERNAL WIRING DIAGRAMS

575V/3PH



Temperature Sensors:

Temp Floor = A1

Temp Ceiling = A2

NOTE: Temp Probes & resistors optional but required for Automatic modes.