



AUTOPILOT

Geared Drive, Multi-Fan Controller

KEY FEATURES

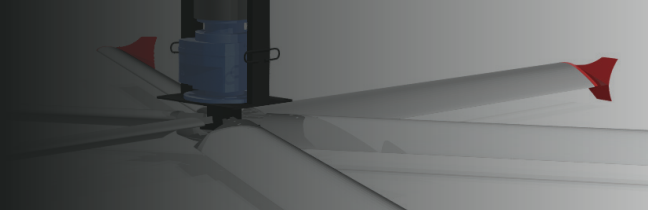
- Control up to 24 fans.
- Set fans to start and stop together on a schedule.
- Set automatic mode to auto-adjust fan speed to maintain temperature.
- Password enabled.
- Ties into existing fire suppression system to shut down in case of emergency.
- Can create custom names for each fan.
- Touchscreen interaction.

CONTROLLER SPECIFICATIONS

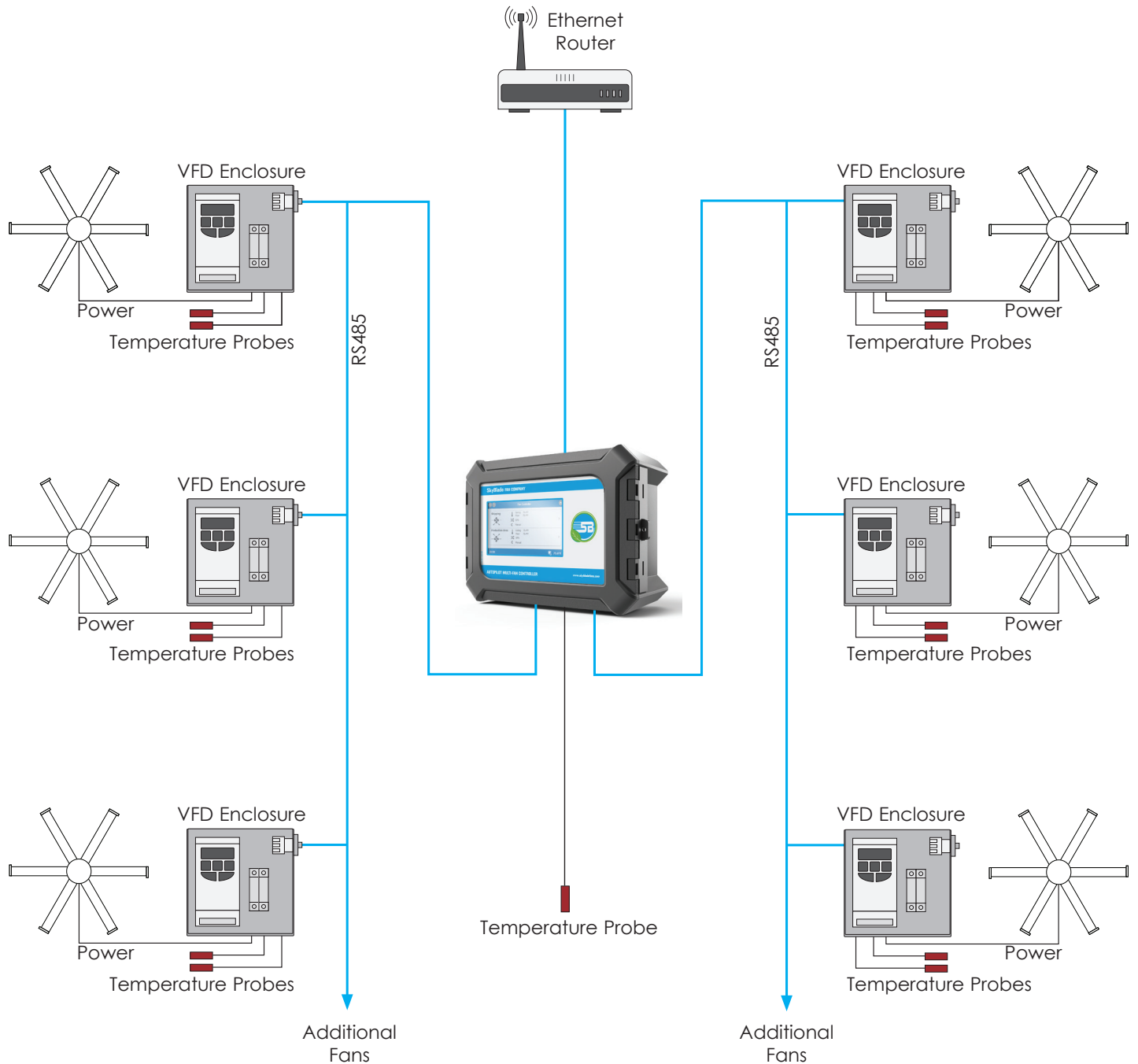
| | | | |
|--------------------------------|--|---------------------------|--|
| Power Supply | 90-250V 50/60 Hz. | Display Resolution | 800 x 480 pixels |
| Dimensions | 13.5" W x 10" H x 6" D (343 mm x 254 mm x 153 mm) | Power Consumption | 25W |
| Weight | 5.3 lbs. (2.4 kg) | Fans/Control | Maximum 24 fans; 12 fans per leg |
| Language Protocol | Modbus RS485 communication | Temperature Inputs | Two local inputs. Up to 48 remote inputs |
| Touchscreen Size | 6" W x 3.375" H (153 mm x 86 mm) | Enclosure Rating | B1 standard splash proof |
| Display Operating Temp. | 32°F - 105°F (0°C - 40.5°C) | Protection Rating | NEMA 4x |

AUTOPILOT

Geared Drive, Multi-Fan Controller



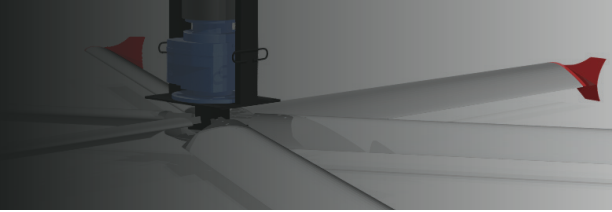
INTEGRATION



NOTE: Representational diagram only. Not for field wiring.

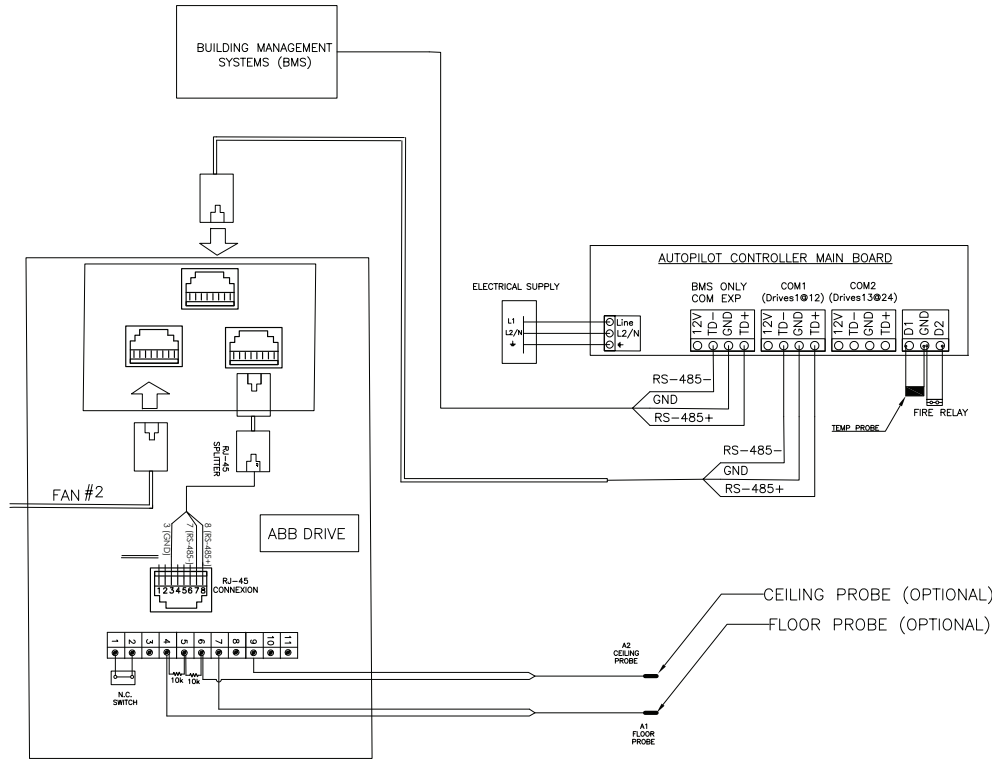
AUTOPILOT

Geared Drive, Multi-Fan Controller



INTERNAL WIRING DIAGRAMS

120V/1PH

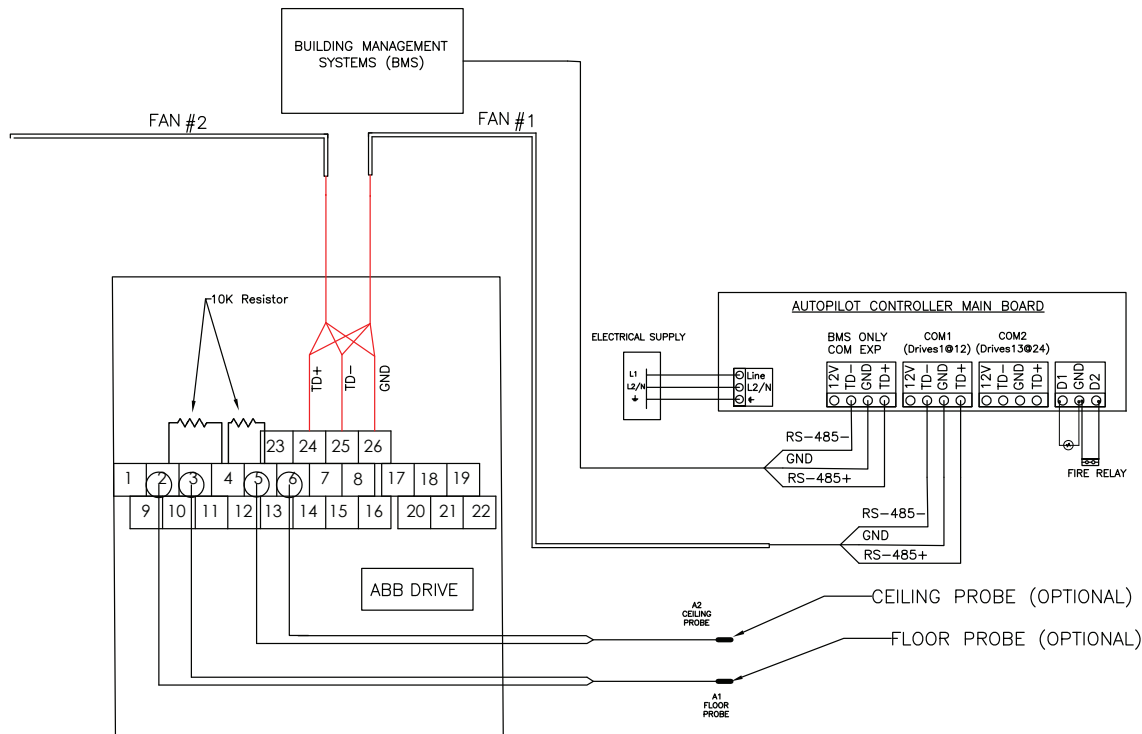


Temperature Sensors:

Temp Floor = A1

Temp Ceiling = A2

230V/1PH, 230V/3PH & 460V/3PH



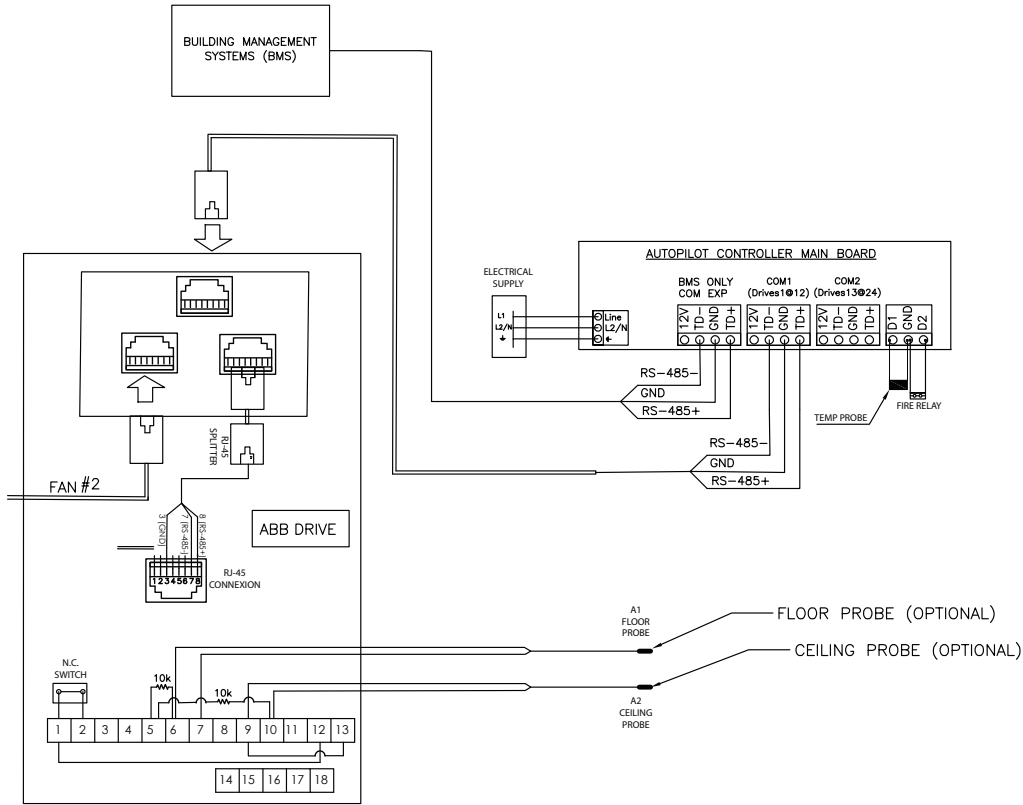
NOTE: Temp Probes & resistors optional but required for Automatic modes.

AUTOPILOT

Geared Drive, Multi-Fan Controller

INTERNAL WIRING DIAGRAMS

575V/3PH



Temperature Sensors:

Temp Floor = A1

Temp Ceiling = A2

NOTE: Temp Probes & resistors optional but required for Automatic modes.