

## TOUCH 'N' GO PREMIER

7" Digital Touch Screen Multi-Fan Controller

### KEY FEATURES

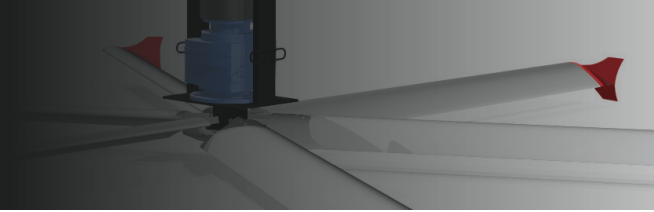
- Control multiple fans in groups or individually
- Operate your fans in either forward or reverse
- 0-100% speed control
- Fully digital interface
- Visual indicators of speed and direction
- Password lockout capability

### CONTROLLER SPECIFICATIONS

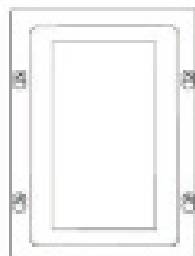
<b>Power Supply</b>	External 24V (supplied)	<b>Luminance</b>	380
<b>Dimensions</b>	4.75"W x 7.125"L x 0.5"D	<b>Fans/Control</b>	Up to 10
<b>Weight</b>	0.5 lb.	<b>Rating</b>	IP30
<b>Language Protocol</b>	0-10v signal/CAN	<b>Display Resolution</b>	272 x 480 pixels
<b>Touchscreen Size</b>	7"	<b>Connection</b>	4 Core Shielded Wire
<b>Enclosure Material</b>	Steel	<b>Max. Cable Length</b>	1,640 Feet (500 meters)

# TOUCH 'N' GO PREMIER

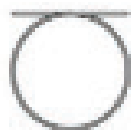
Digital, Multi-Fan Controller



## PACKAGE CONTENTS & ASSEMBLY



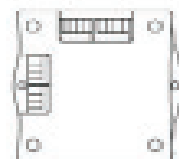
A. TNG Control  
(x1)



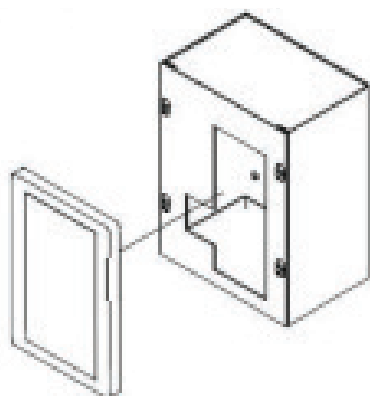
B. Control Cable  
(x1)



C. Power Supply

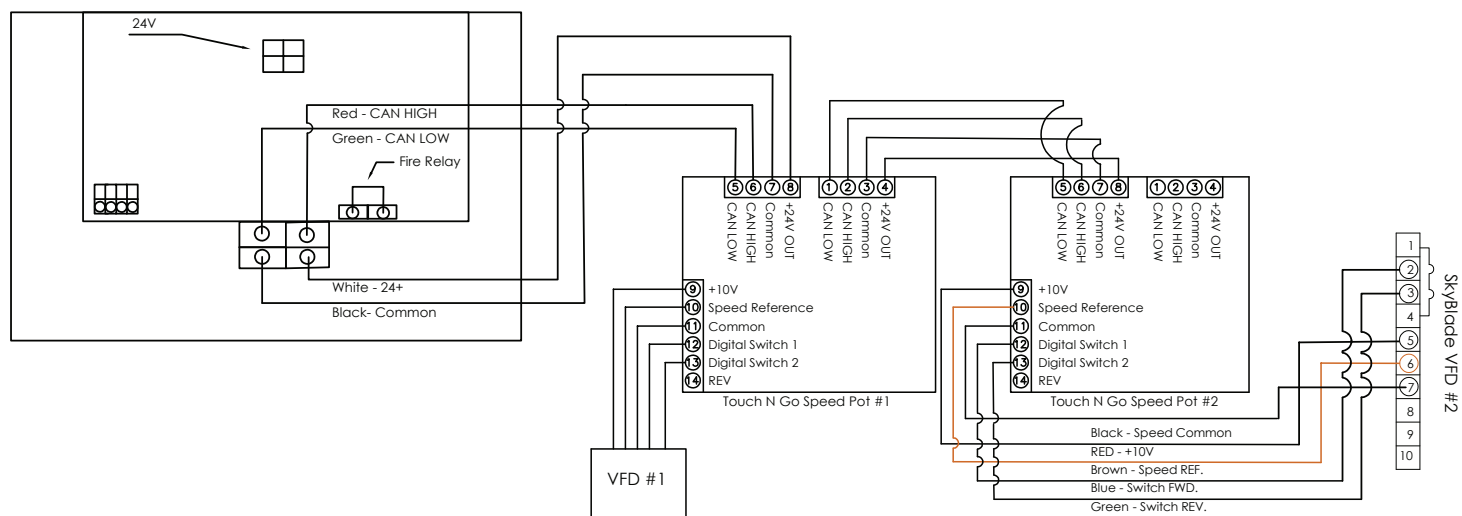


D. Pot Board  
(1 per fan)



## INTERNAL WIRING DIAGRAMS - GEARED DRIVE

120V/1PH

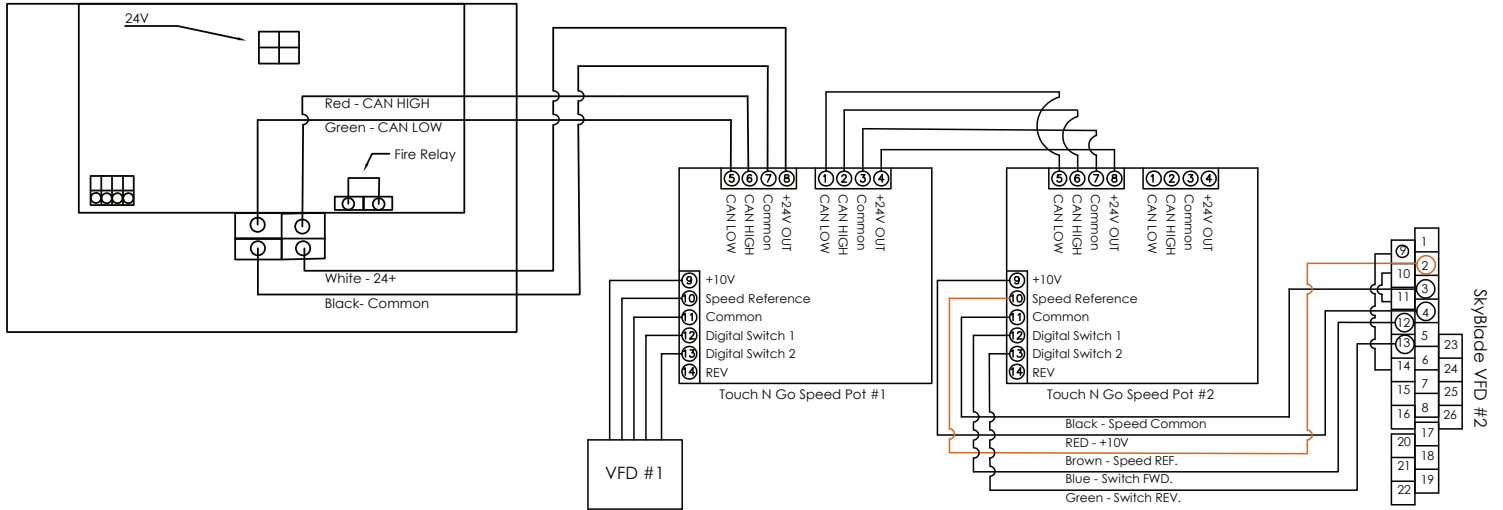


# TOUCH 'N' GO PREMIER

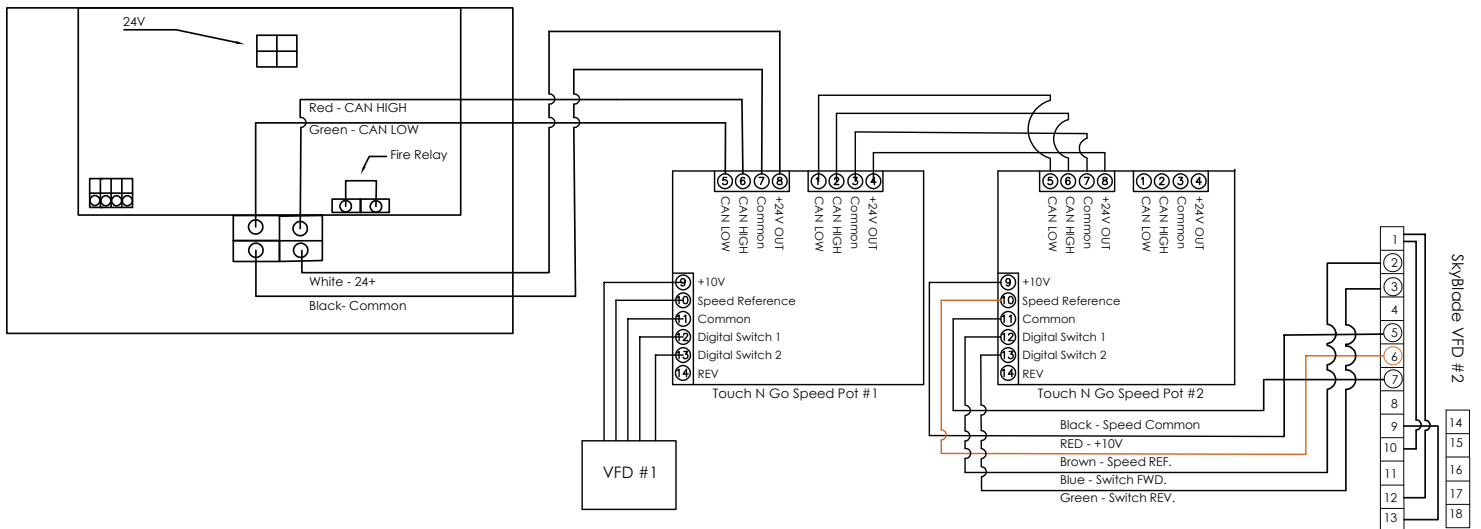
Digital, Multi-Fan Controller

## INTERNAL WIRING DIAGRAMS - GEARED DRIVE

230V/1PH, 230V/3PH & 460V/3PH



575V/3PH

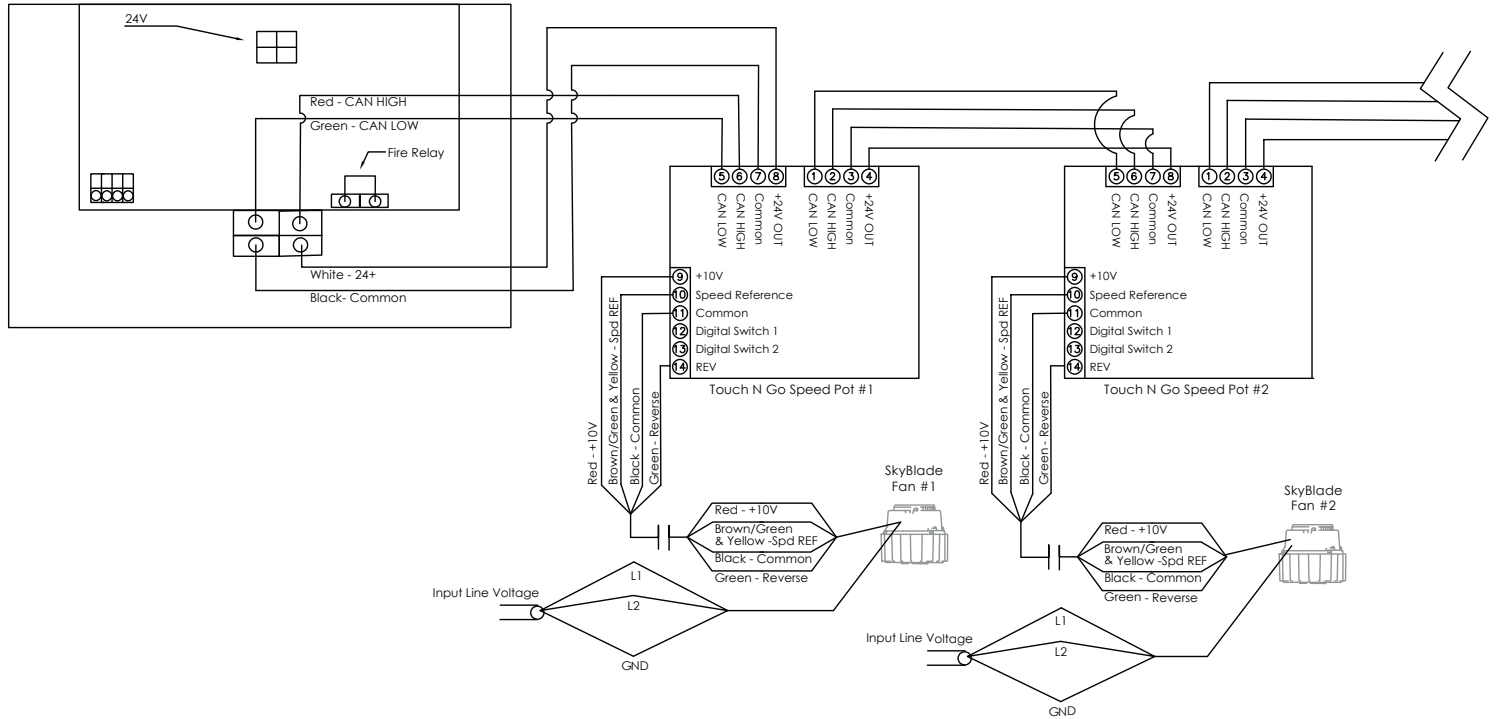


# TOUCH 'N' GO PREMIER

Digital, Multi-Fan Controller

## INTERNAL WIRING DIAGRAMS - DIRECT DRIVE

### 120V/1PH & 230V/1PH



### 230V/3PH & 460V/3PH

