

## SINGLE YOKE CONTROLLER

### KEY FEATURES

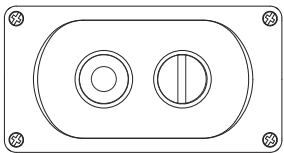


- Easily mounted to wall.
- Control each fan individually
- SkyBlade supplies you with 100 ft. of 6-core cable for installation
- Operate your fans in either forward (cooling) or reverse (destratification)
- Manually control each fan's speed.

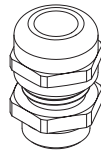
### TECHNICAL SPECIFICATIONS

|                          |                                 |
|--------------------------|---------------------------------|
| <b>Power Supply</b>      | 0-10V DC analog from VFD        |
| <b>Dimensions</b>        | 3"W x 2"H x 5"D                 |
| <b>Weight</b>            | 0.75 lb.                        |
| <b>Language Protocol</b> | 0-10v signal                    |
| <b>User Interface</b>    | Rotary dial                     |
| <b>Enclosure</b>         | ABS plastic                     |
| <b>Fans/Control</b>      | Single fan control              |
| <b>Power Consumption</b> | 0.5W                            |
| <b>Connections</b>       | 6-core shielded wire (included) |
| <b>Max Cable Length</b>  | 100 Ft.                         |
| <b>Rating</b>            | NEMA 4X, IP65                   |

### YOKE PACKAGE CONTENTS & ASSEMBLY



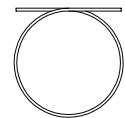
**A. Single Yoke Controller (x1)**



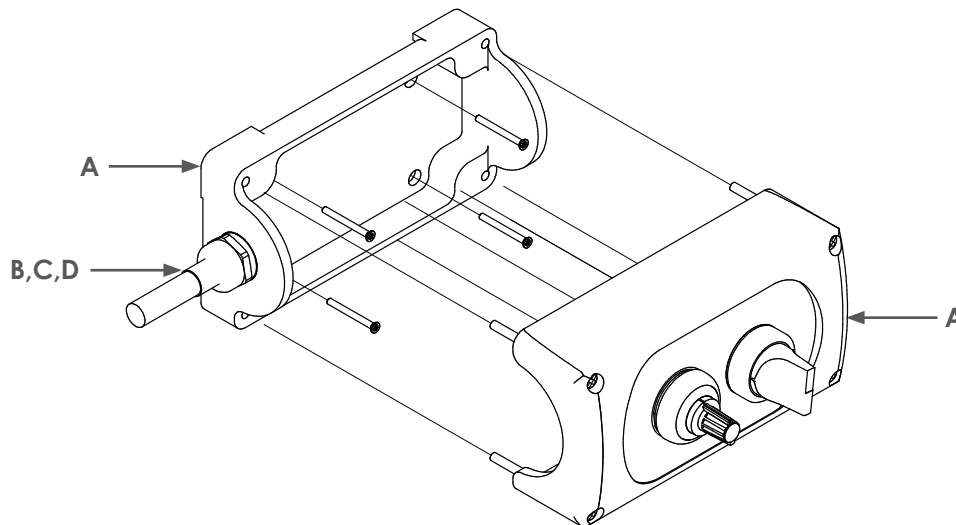
**B. Strain Relief Bushing (x1)**



**C. Heat-shrink Tubing (x1)**

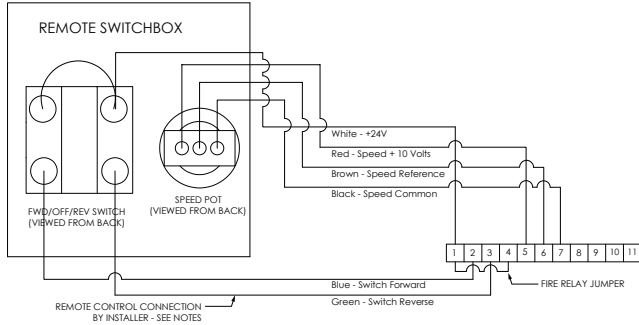


**D. Control Cable (100 ft)**

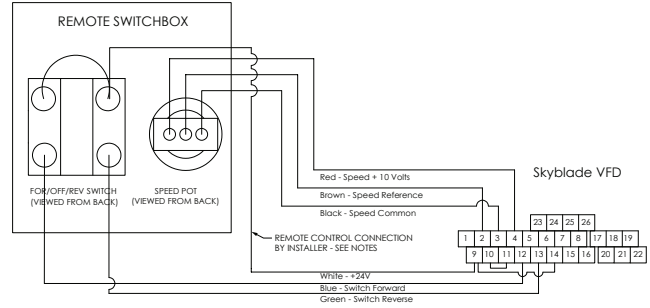


## SINGLE YOKE WIRING DIAGRAM - GEARED DRIVE FAN

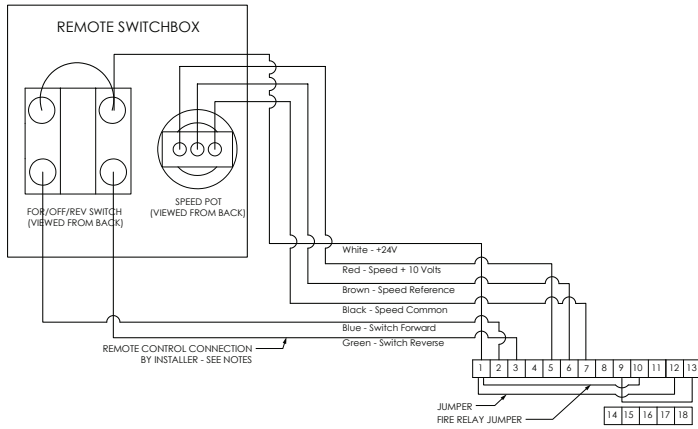
### 120V/1PH



### 230V/1PH, 230V/3PH, & 460V/3PH

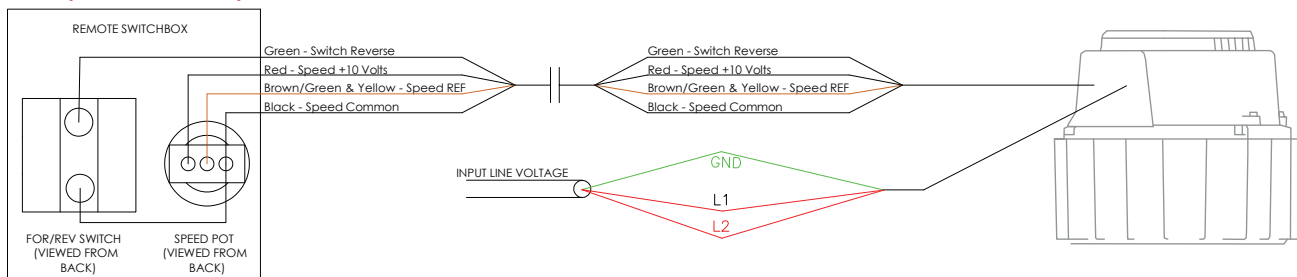


### 575V/3PH



## SINGLE YOKE WIRING DIAGRAM - DIRECT DRIVE FAN

### 120V/1PH & 230V/1PH



### 230V/3PH & 460V/3 PH

