

## SINGLE YOKE CONTROLLER

### KEY FEATURES

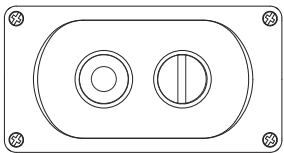


- Easily mounted to wall.
- Control each fan individually
- SkyBlade supplies you with 100 ft. of 6-core cable for installation
- Operate your fans in either forward (cooling) or reverse (destratification)
- Manually control each fan's speed.

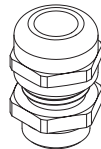
### TECHNICAL SPECIFICATIONS

<b>Power Supply</b>	0-10V DC analog from VFD
<b>Dimensions</b>	3"W x 2"H x 5"D
<b>Weight</b>	0.75 lb.
<b>Language Protocol</b>	0-10v signal
<b>User Interface</b>	Rotary dial
<b>Enclosure</b>	ABS plastic
<b>Fans/Control</b>	Single fan control
<b>Power Consumption</b>	0.5W
<b>Connections</b>	6-core shielded wire (included)
<b>Max Cable Length</b>	100 Ft.
<b>Rating</b>	NEMA 4X, IP65

### YOKE PACKAGE CONTENTS & ASSEMBLY



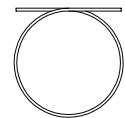
**A. Single Yoke Controller (x1)**



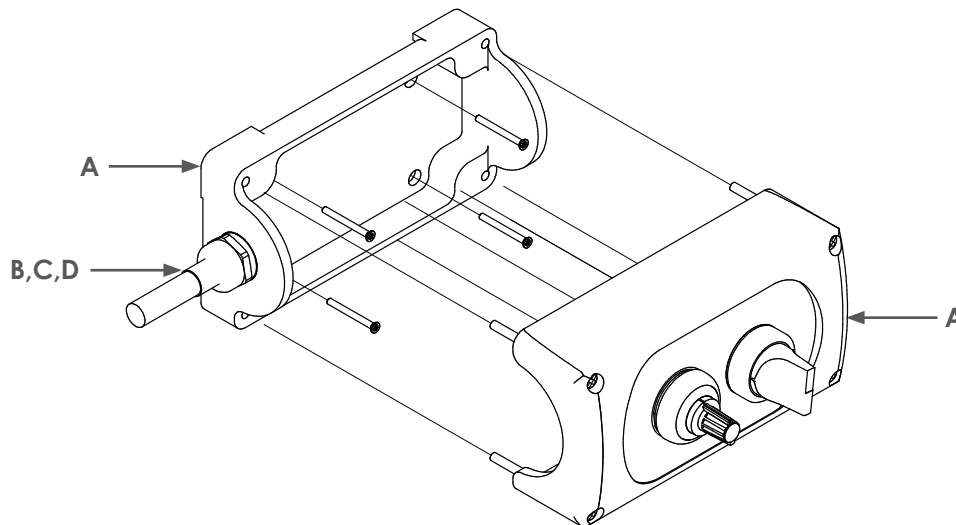
**B. Strain Relief Bushing (x1)**



**C. Heat-shrink Tubing (x1)**

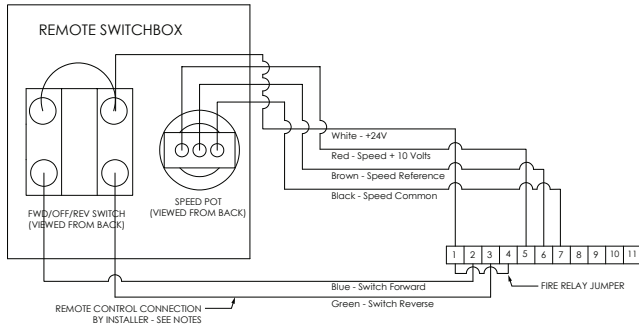


**D. Control Cable (100 ft)**

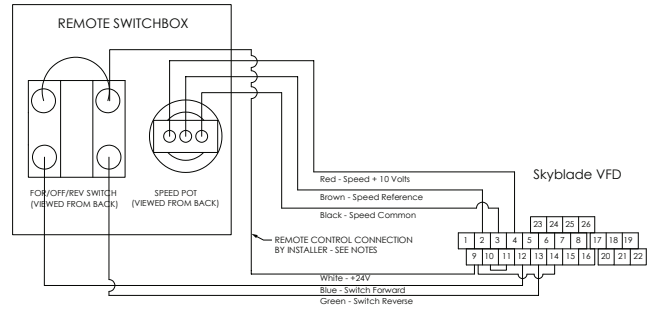


## SINGLE YOKE WIRING DIAGRAM - GEARED DRIVE FAN

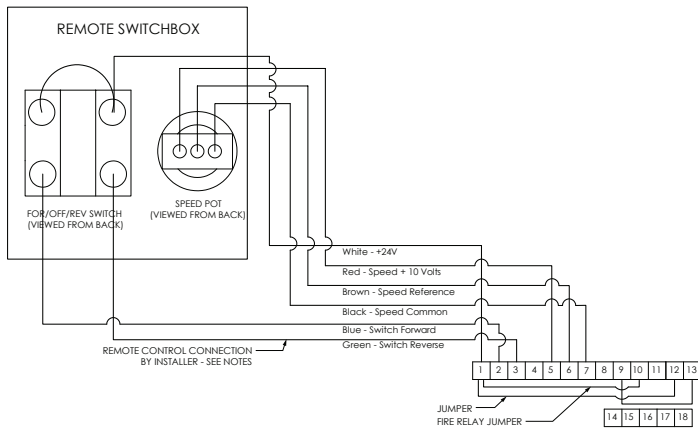
### 120V/1PH



### 230V/1PH, 230V/3PH, & 460V/3PH

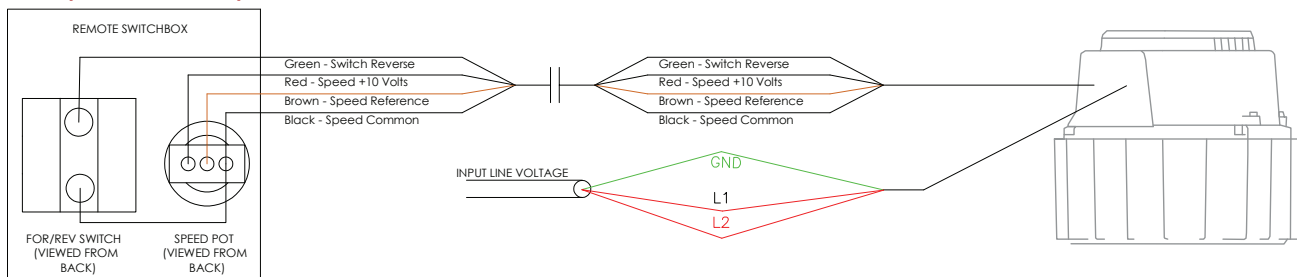


### 575V/3PH



## SINGLE YOKE WIRING DIAGRAM - DIRECT DRIVE FAN

### 120V/1PH & 230V/1PH



### 230V/3PH & 460V/3 PH

