

DOUBLE YOKE CONTROLLER

KEY FEATURES

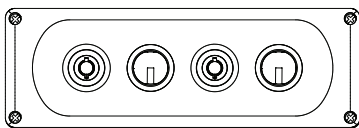


- Easily mounted to wall.
- Control each fan individually.
- SkyBlade supplies you with 100 ft. of 6-core cable for installation.
- Operate your fans in either forward (cooling) or reverse (destratification).
- Manually control each fan's speed.

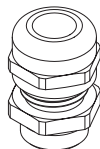
TECHNICAL SPECIFICATIONS

Power Supply	0-10V DC analog from VFD
Dimensions	2.45"W x 2.95"H x 8.7"D
Weight	1.25 lbs.
Language Protocol	0-10v signal
User Interface	Rotary dial
Enclosure	ABS plastic
Fans/Control	Double fan control
Power Consumption	0.5W
Connections	6-core shielded wire (included)
Max Cable Length	100 Ft. (x2)
Rating	NEMA 4X, IP65

DOUBLE YOKE PACKAGE CONTENTS & ASSEMBLY



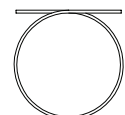
A. Double Yoke Controller
(x1)



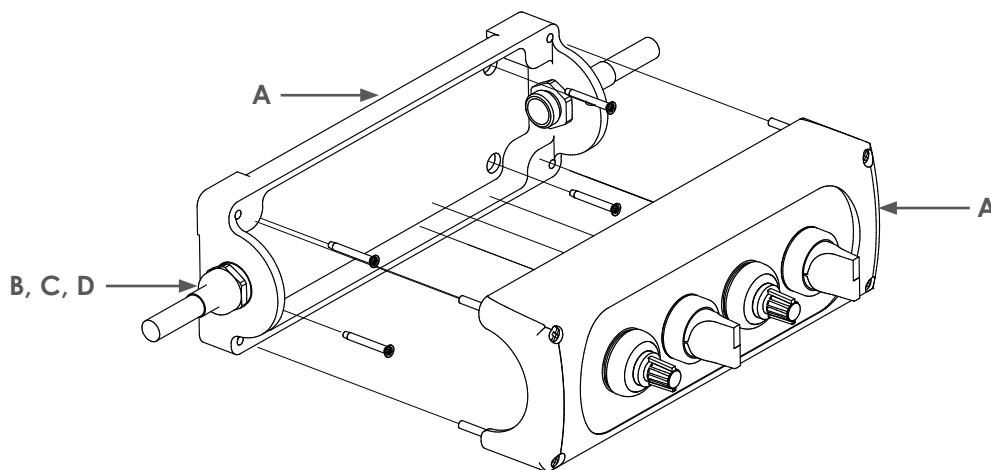
B. Strain Relief Bushing
(x2)



C. Heat-shrink Tubing
(x2)

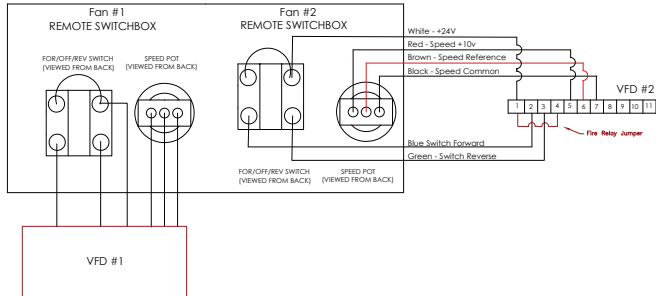


D. Control Cable
(x2 100 ft. ea.)

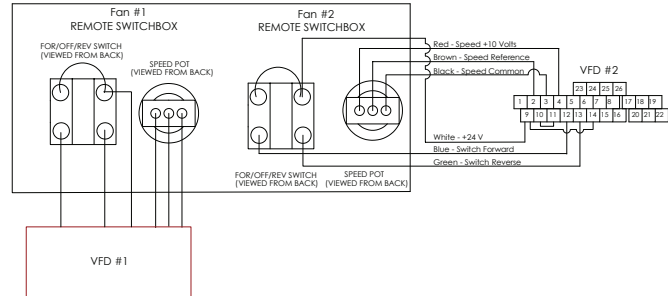


DOUBLE YOKE WIRING DIAGRAM - GEARED DRIVE FAN

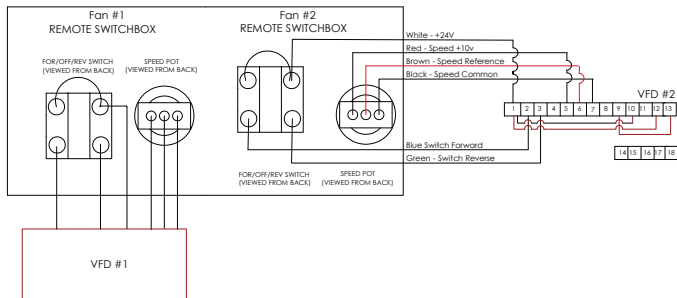
120V/1PH



230V/1PH, 230V/3PH & 460V/3PH

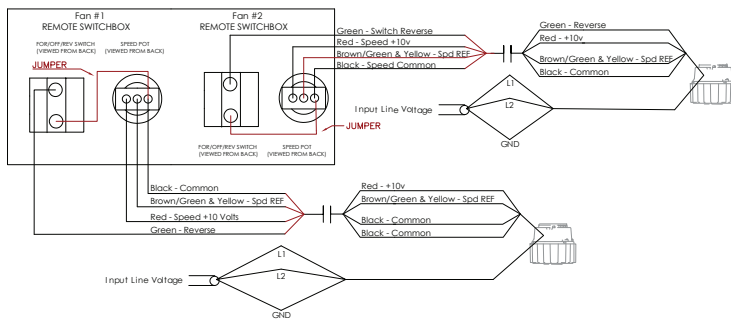


575V/3PH



DOUBLE YOKE WIRING DIAGRAM - DIRECT DRIVE FAN

120V/1PH & 230V/1PH



230V/3PH & 460V/3PH

