

DOUBLE YOKE CONTROLLER

KEY FEATURES

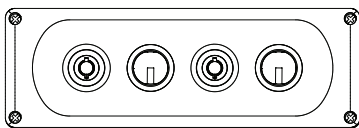


- Easily mounted to wall.
- Control each fan individually.
- SkyBlade supplies you with 100 ft. of 6-core cable for installation.
- Operate your fans in either forward (cooling) or reverse (destratification).
- Manually control each fan's speed.

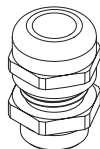
TECHNICAL SPECIFICATIONS

| | |
|--------------------------|---------------------------------|
| Power Supply | 0-10V DC analog from VFD |
| Dimensions | 2.45"W x 2.95"H x 8.7"D |
| Weight | 1.25 lbs. |
| Language Protocol | 0-10v signal |
| User Interface | Rotary dial |
| Enclosure | ABS plastic |
| Fans/Control | Double fan control |
| Power Consumption | 0.5W |
| Connections | 6-core shielded wire (included) |
| Max Cable Length | 100 Ft. (x2) |
| Rating | NEMA 4X, IP65 |

DOUBLE YOKE PACKAGE CONTENTS & ASSEMBLY



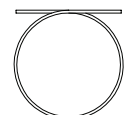
A. Double Yoke Controller
(x1)



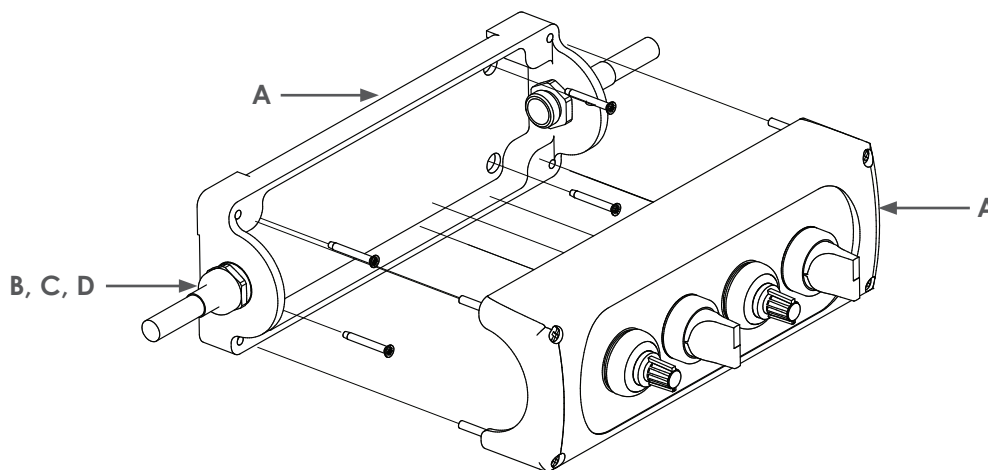
B. Strain Relief Bushing
(x2)



C. Heat-shrink Tubing
(x2)

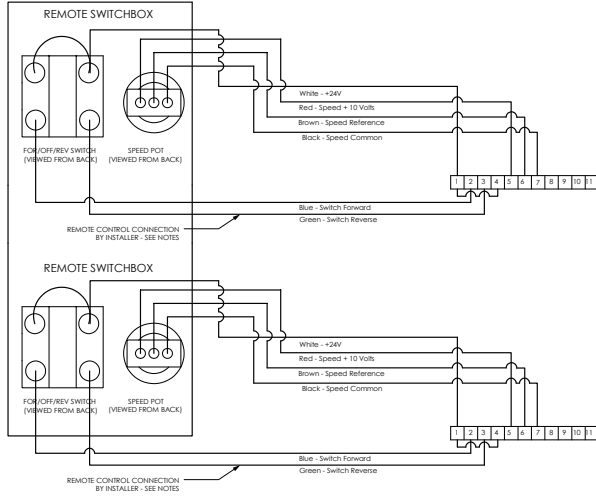


D. Control Cable
(x2 100 ft. ea.)

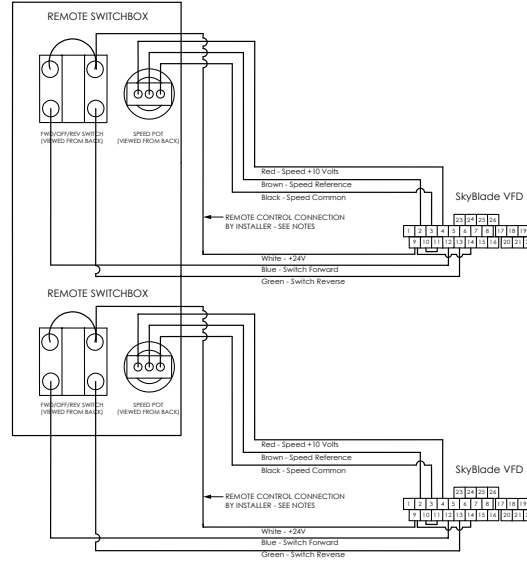


DOUBLE YOKE WIRING DIAGRAM - GEARED DRIVE FAN

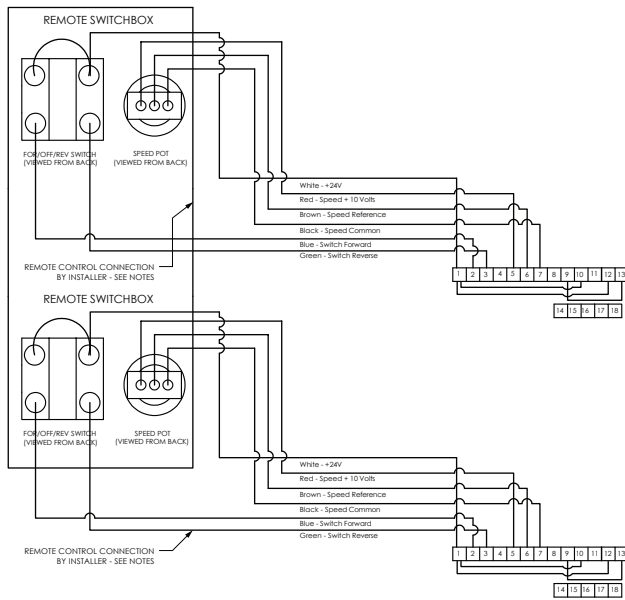
120V/1PH



230V/1PH, 230V/3PH & 460V/3PH

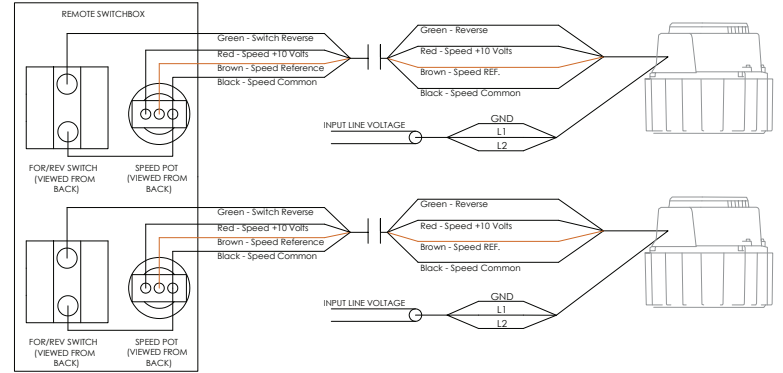


575V/3PH



DOUBLE YOKE WIRING DIAGRAM - DIRECT DRIVE FAN

120V/1PH & 230V/1PH



230V/3PH & 460V/3PH

