

TRIPLE YOKE CONTROLLER

TRIPLE YOKE KEY FEATURES

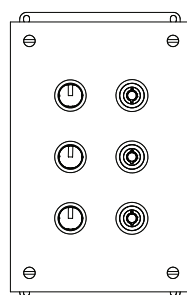
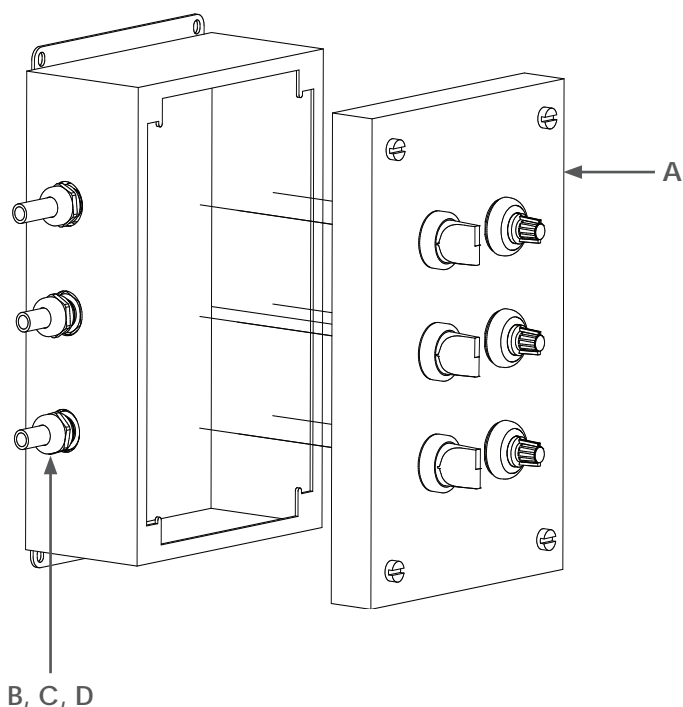


- Easily mounted to wall
- Control each fan individually
- SkyBlade supplies you with 100 ft. of 6-core cable for installation
- Operate your fans in either forward (cooling) or reverse (destratification)
- Manually control each fan's speed

TRIPLE YOKE TECHNICAL SPECIFICATIONS

Power Supply	0-10V DC analog from VFD
Dimensions	5.0"W x 8.5"H x 4.25"D
Weight	5 lbs.
Language Protocol	0-10v signal
User Interface	Rotary dial
Enclosure	Steel enclosure with gray polyester powder finish
Fans/Control	Three fan control
Power Consumption	0.5W
Connections	6-Core 24 AWG shielded wire (included)
Max Cable Length	300 Ft. (x3)
Rating	NEMA 12

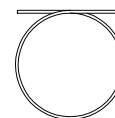
TRIPLE YOKE PACKAGE CONTENTS & ASSEMBLY



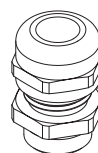
A. Triple Yoke Controller (x1)



C. Heat-shrink Tubing (x3)



D. 100' Control Cable (x3)



B. Strain Relief Bushing (x3)



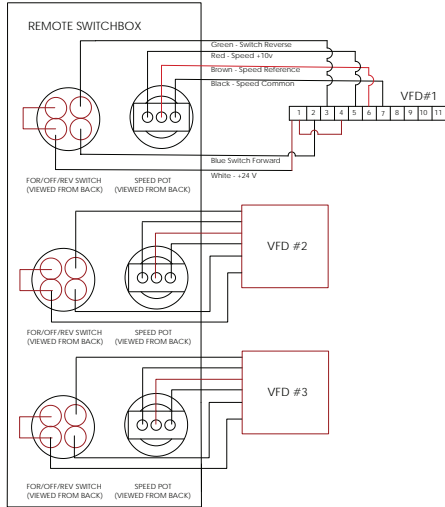
E. 3.5" Jumper (x3)

CONTROLLERS

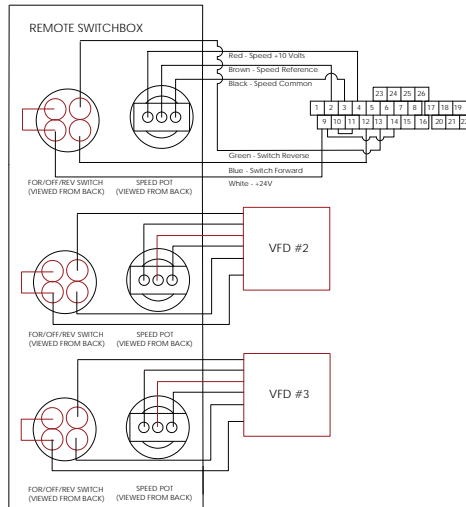
Triple Yoke Controller

TRIPLE YOKE WIRING DIAGRAM - GEARED DRIVE FAN

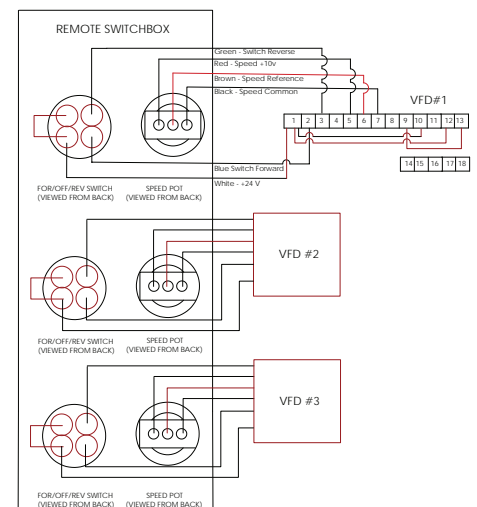
120V/1PH



230V/1PH, 230V/3PH, & 460V/3PH

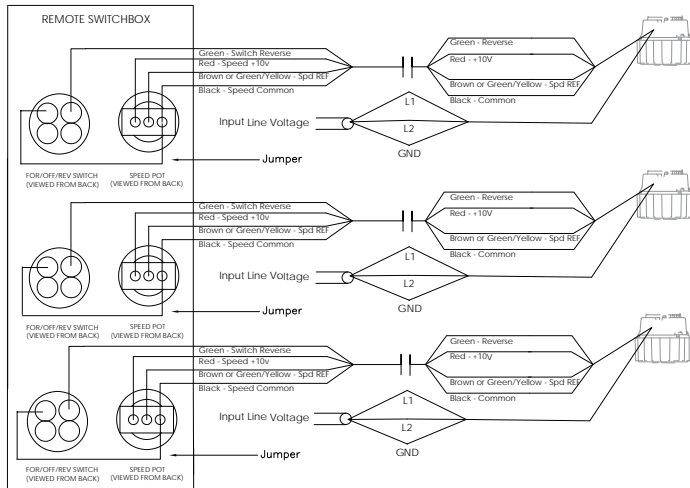


575V/3PH

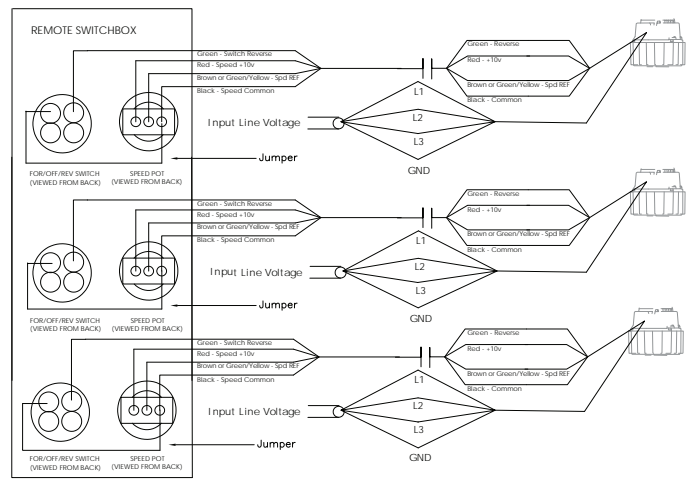


TRIPLE YOKE WIRING DIAGRAM - DIRECT DRIVE FAN

120V/1PH & 230V/1PH



230V/3PH & 460V/3PH



SkyBlade Fan Company | Where Form Follows Function
 24501 Hoover Road, Warren, Michigan 48089 USA
 +1 (586) 806-5107 | sales@skybladefans.com
 www.SkyBladeFans.com

Concurrent with our continuing product improvement program, specifications are subject to change without notice. Please contact SkyBlade Fan Company for latest information. Some features illustrated may be optional in certain market areas.

