

TRIPLE YOKE CONTROLLER

KEY FEATURES

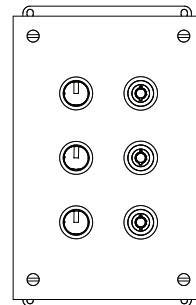
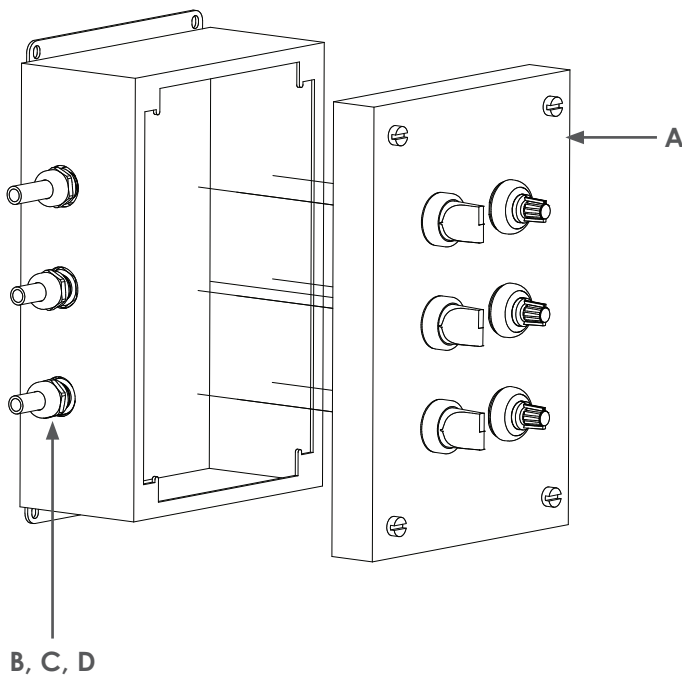


- Easily mounted to wall.
- Control each fan individually.
- SkyBlade supplies you with 100 ft. of 6-core cable for installation.
- Operate your fans in either forward (cooling) or reverse (destratification).
- Manually control each fan's speed.

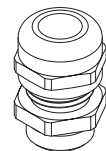
TECHNICAL SPECIFICATIONS

Power Supply	0-10V DC analog from VFD
Dimensions	5.0"W x 8.5"H x 4.25"D
Weight	5 lbs.
Language Protocol	0-10v signal
User Interface	Rotary dial
Enclosure	Nema Type 12, Steel Enclosure Gray Polyester Powder Finish
Fans/Control	Three fan control
Power Consumption	0.5W
Connections	6-core shielded wire (included)
Max Cable Length	100 Ft. (x3)
Rating	NEMA 4X, IP65

TRIPLE YOKE PACKAGE CONTENTS & ASSEMBLY



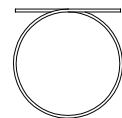
A. Triple Yoke Controller (x1)



B. Strain Relief Bushing (x3)



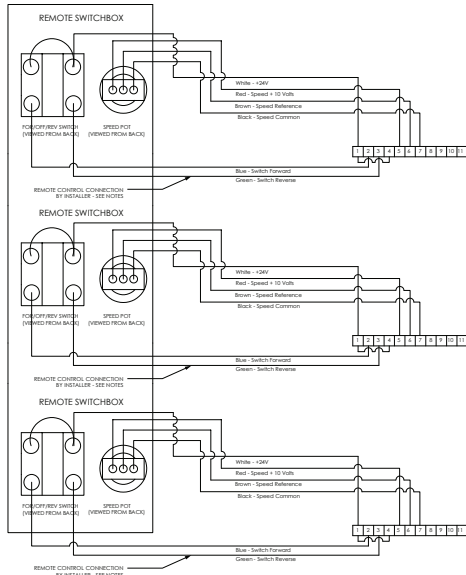
C. Heat-shrink Tubing (x3)



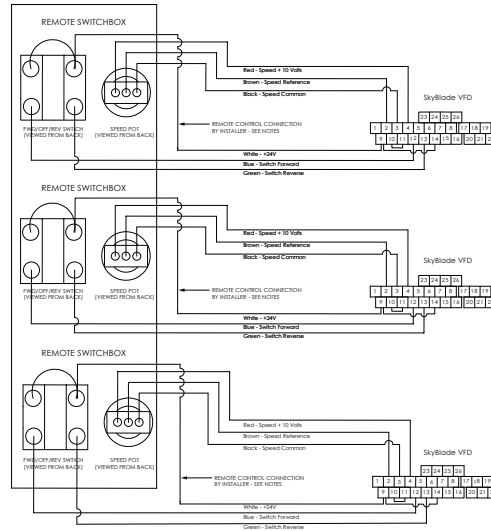
D. 100' Control Cable (x3)

TRIPLE YOKE WIRING DIAGRAM - GEARED DRIVE FAN

120V/1PH

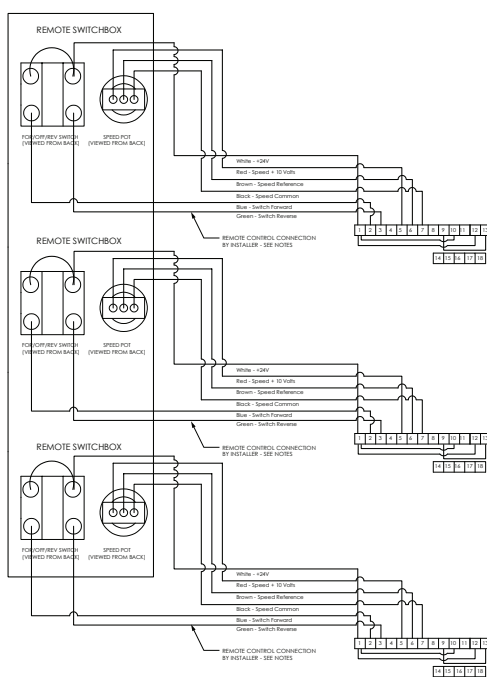


230V/1PH, 230V/3PH, & 460V/3PH

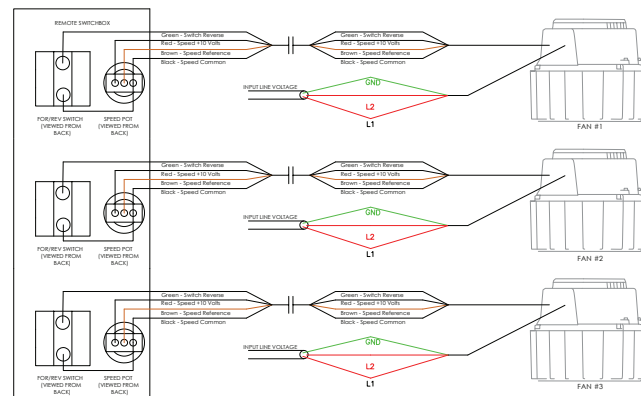


DOUBLE YOKE WIRING DIAGRAM - DIRECT DRIVE FAN

575V/3PH



120V/1PH & 230V/1PH



230V/3PH & 460V/3PH

