

## IDFC SINGLE-FAN CONTROLLER

### KEY FEATURES

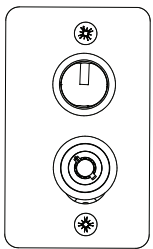


- Easily mounted to wall
- Control each fan individually
- Operate your fans in either forward (cooling) or reverse (destratification)
- Manually control each fan's speed

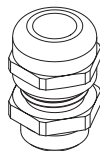
### IDFC TECHNICAL SPECIFICATIONS

|                          |  |
|--------------------------|--|
| <b>Power Supply</b>      | 0-10V DC analog from VFD                     |
| <b>Dimensions</b>        | 3"W x 2"H x 5"D                              |
| <b>Weight</b>            | 0.75 lb.                                     |
| <b>Language Protocol</b> | 0-10v signal                                 |
| <b>User Interface</b>    | Rotary dial                                  |
| <b>Enclosure</b>         | Field supplied                               |
| <b>Fans/Control</b>      | Single fan control                           |
| <b>Power Consumption</b> | 0.5W   |
| <b>Connections</b>       | 6-core 24 AWG shielded wire (field supplied) |
| <b>Max Cable Length</b>  | 300 Ft.                                      |
| <b>Rating</b>            | NEMA 4X, IP65                                |

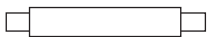
### IDFC PACKAGE CONTENTS & ASSEMBLY



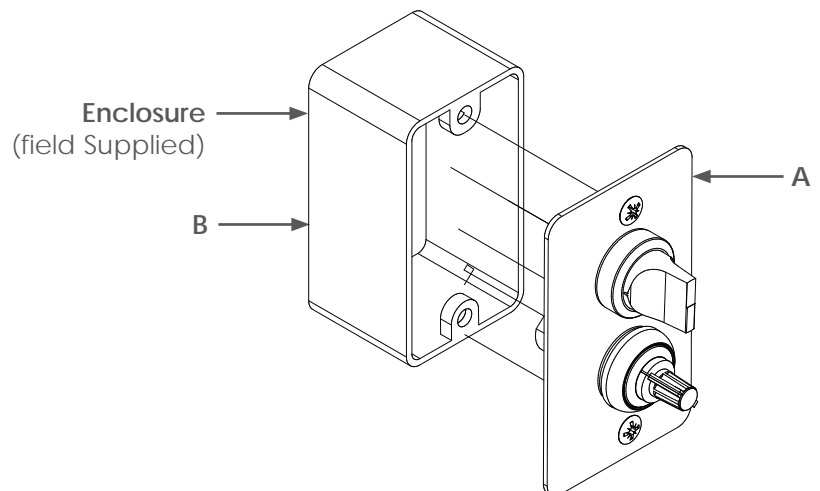
A. IDFC Controller  
(x1)



B. Strain Relief Bushing  
(x1)



C. 3.5" Jumper  
(x1)

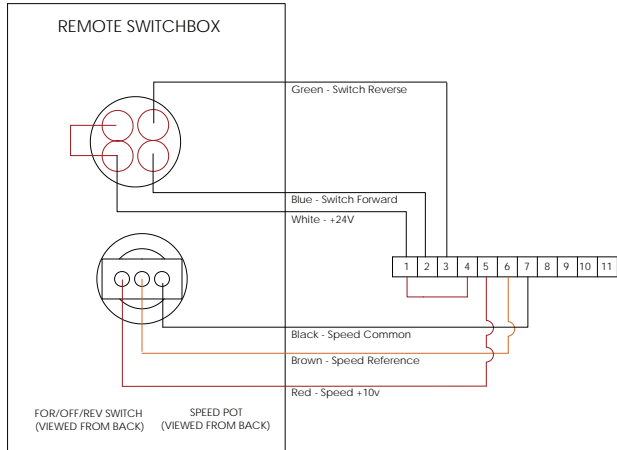


# CONTROLLERS

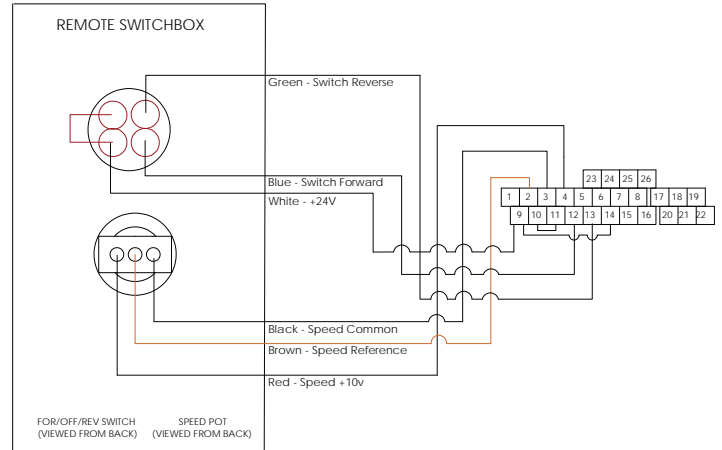
## IDFC Single Fan Controller

### IDFC WIRING DIAGRAM - GEARED DRIVE FAN

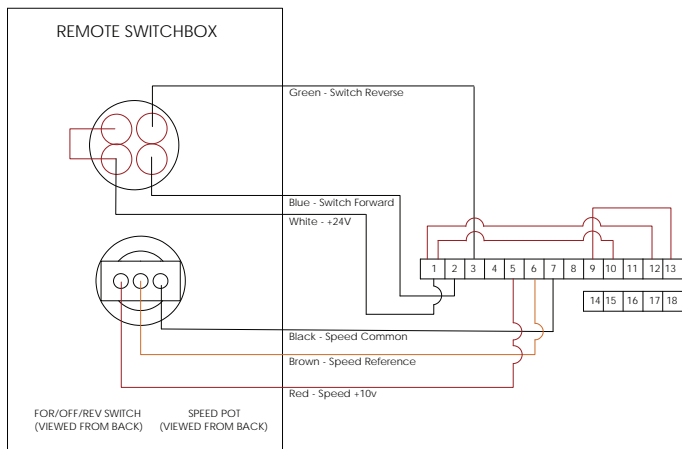
#### 120V/1PH



#### 230V/1PH, 230V/3PH, & 460V/3PH

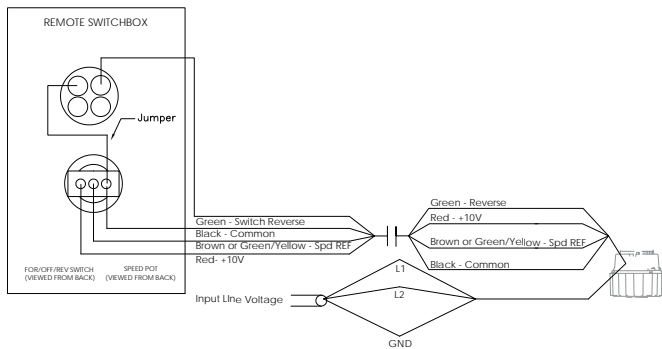


#### 575V/3PH

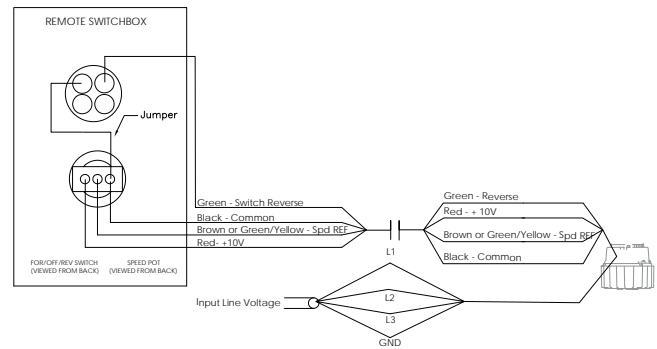


### IDFC WIRING DIAGRAM - DIRECT DRIVE FAN

#### 120V/1PH & 230V/1PH



#### 230V/3PH & 460V/3 PH



SkyBlade Fan Company | Where Form Follows Function

24501 Hoover Road, Warren, Michigan 48089 USA

+1 (586) 806-5107 | sales@skybladefans.com

www.SkyBladeFans.com

Concurrent with our continuing product improvement program, specifications are subject to change without notice. Please contact SkyBlade Fan Company for latest information. Some features illustrated may be optional in certain market areas.

