

IDFC SINGLE-FAN CONTROLLER

KEY FEATURES

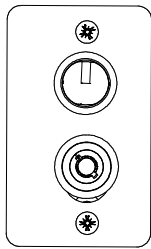


- Easily mounted to most electrical boxes (single gang box)
- Control each fan individually
- Operate your fans in either forward (cooling) or reverse (destratification)
- Manually control each fan's speed.

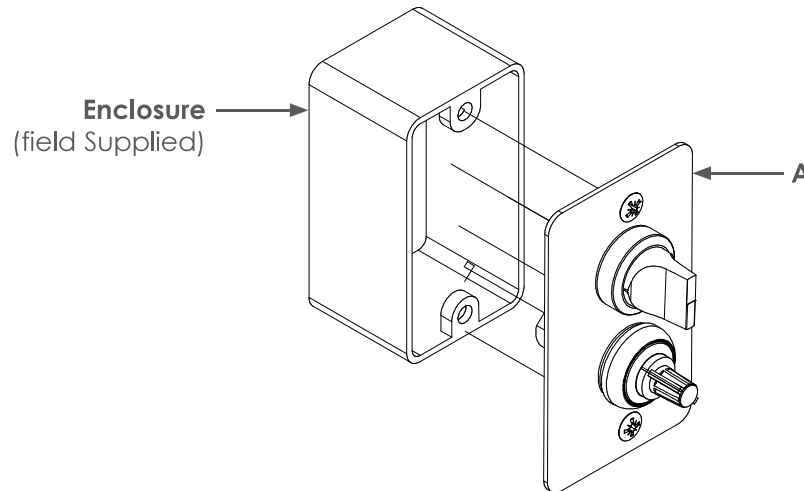
TECHNICAL SPECIFICATIONS

Power Supply	0-10V DC analog from VFD
Dimensions	3"W x 2"H x 5"D
Weight	0.75 lb.
Language Protocol	0-10v signal
User Interface	Rotary dial
Enclosure	Field supplied
Fans/Control	Single fan control
Power Consumption	0.5W
Connections	6-core shielded wire (field supplied)
Max Cable Length	100 Ft.
Rating	IP30

IDFC PACKAGE CONTENTS & ASSEMBLY

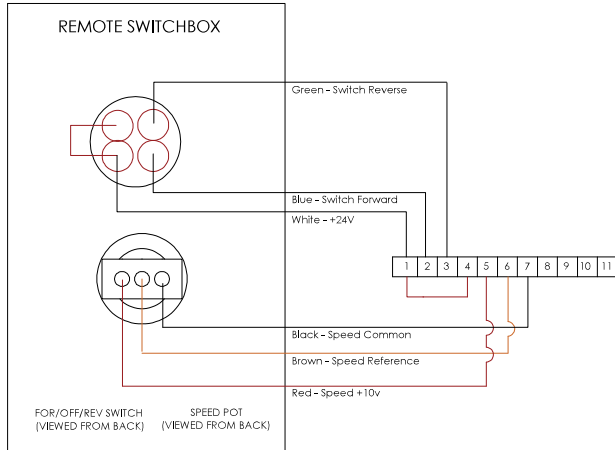


A. Single Yoke Controller (x1)

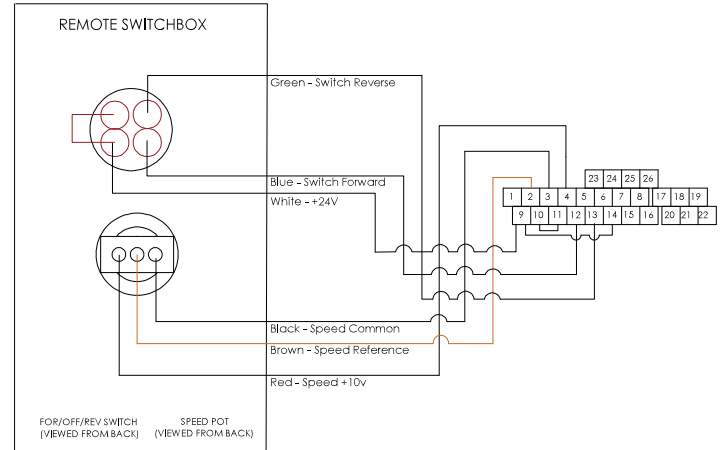


IDFC WIRING DIAGRAM - GEARED DRIVE FAN

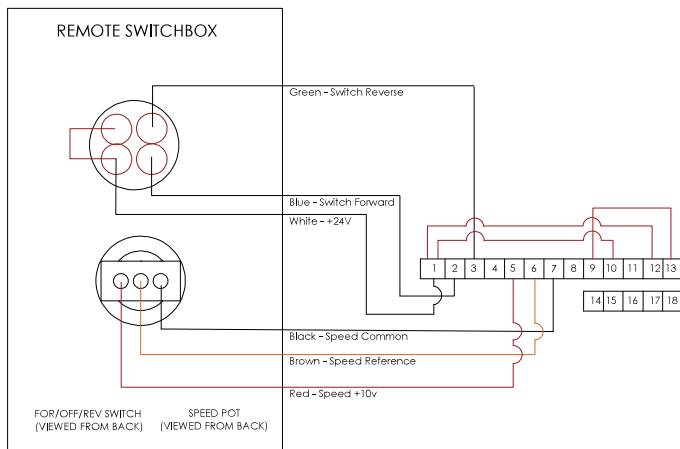
120V/1PH



230V/1PH, 230V/3PH, & 460V/3PH

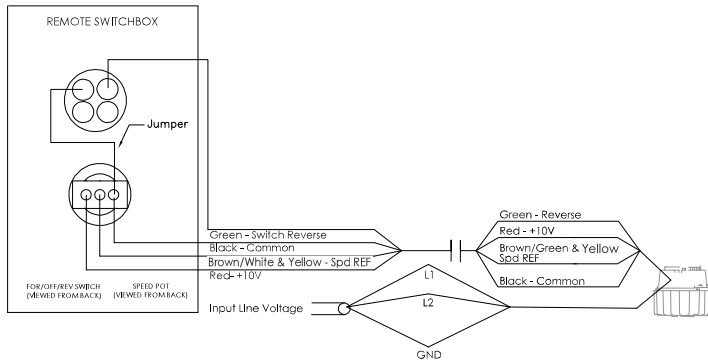


575V/3PH



IDFC WIRING DIAGRAM - DIRECT DRIVE FAN

120V/1PH & 230V/1PH



230V/3PH & 460V/3 PH

