

RADAR MULTI-FAN CONTROLLER

RADAR KEY FEATURES

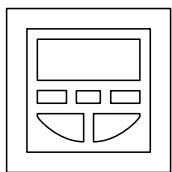


- Easily mounted to wall
- Control up to 63 fans individually or multiple fans in a group together
- Operate your fans for cooling and destratification
- Manually control each fan's forward and reverse speed
- Control all fan functions including: programming, fault viewing, and more

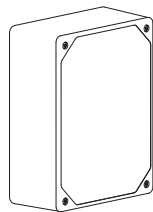
RADAR TECHNICAL SPECIFICATIONS

Power Supply	24V from VFD
Dimensions	3.5"W x 4.3"H x 0.7"D
Weight	0.5 lb.
Language Protocol	Modbus RS 485
User Interface	Digital
Enclosure	ABS Plastic
Fans/Control	Up to 63
Connections	RJ-45 (included)
Max Cable Length	328 Ft. shielded twisted pair RS 485
Signal Interface	Standard right angle 8-way RJ-45 connector required
Rating	IP54

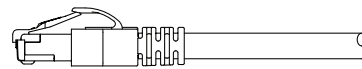
RADAR CONTROLLER PACKAGE CONTENTS



A. Radar Controller (x1)



B. Enclosure (x1)



C. 9' RJ-45 Control Cable (x1)

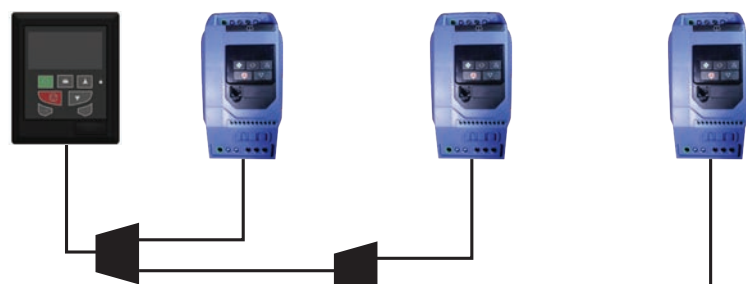
RADAR CONTROLLER SYSTEM CONFIGURATION

Depending on the requirement of the application, Radar can be used in the following configurations.

One Radar with One Fan



One Radar with Multiple Fans (up to 63 max.)



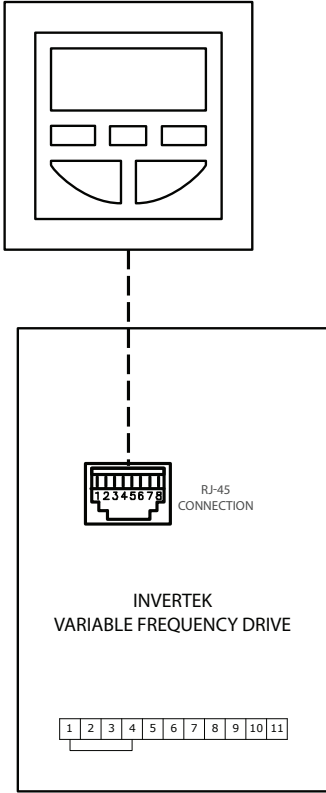
(Part No. 1072)

CONTROLLERS

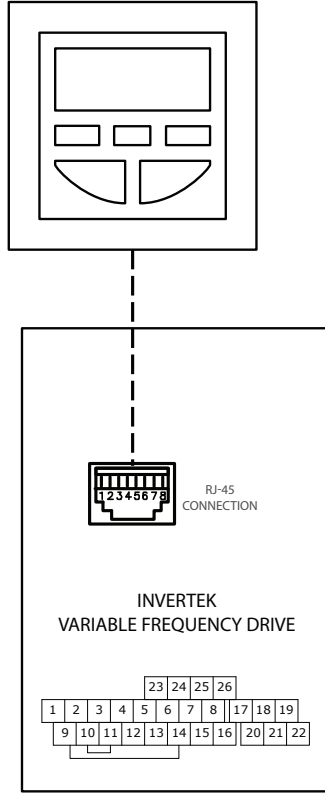
Radar Multi-Fan Controller

RADAR CONTROLLER WIRING DIAGRAM - GEARED DRIVE FAN

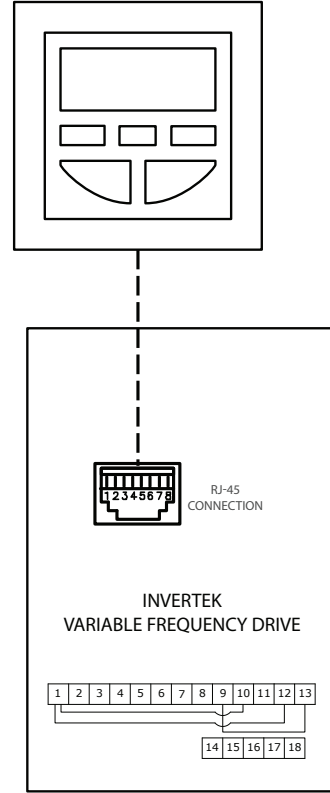
120V/1P



230V/1PH, 230V/3PH & 460V/3 PH

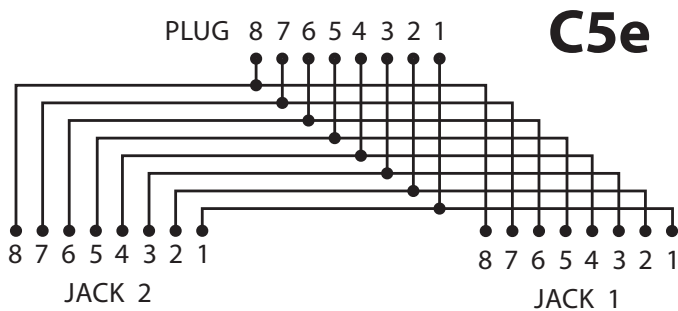


575/3PH



NOTE: Multiple groupings may require additional controllers.
NOTE: Right angled RJ-45 connectors required.

RJ45 SPLITTER WIRING*



WARNING: Do NOT use a cross over device.

*Failure to use a non-SkyBlade supplied RJ-45 splitter may result in non-warrantable product damage.



SkyBlade Fan Company | Where Form Follows Function
 24501 Hoover Road, Warren, Michigan 48089 USA
 +1 (586) 806-5107 | sales@skybladefans.com
 www.SkyBladeFans.com

Concurrent with our continuing product improvement program, specifications are subject to change without notice. Please contact SkyBlade Fan Company for latest information. Some features illustrated may be optional in certain market areas.

