



SkyBlade

FAN COMPANY

WHERE FORM FOLLOWS FUNCTION

Touch 'N' Go Digital Single-Fan Controller

KEY FEATURES

- Control one fan.
- Operate your fans in either forward or reverse.
- 0-100% speed control.
- Easily mounts to wall or electric gang box.
- Fully digital interface.
- Password lockout capability.
- 50 ft. of 4-core cable supplied for installation.

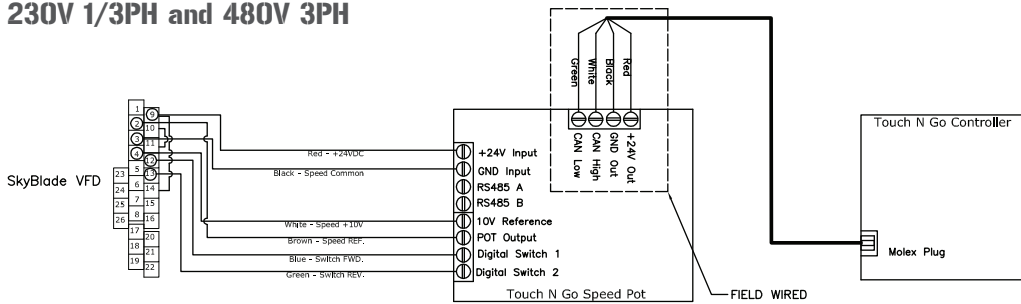
TECHNICAL SPECIFICATIONS

Power Supply	24v from VFD	Luminance	380
Dimensions	3.6" x 5.9" x 1.05"	Fans/Control	1
Weight	0.5 lb.	Rating	IP30
Language Protocol	0-10v signal/ CAN	Display Resolution	272 x 480 pixels
Touchscreen Size	4.3"	Mounting	4 x #6-32 threaded holes
Enclosure	High Impact Molded ABS		

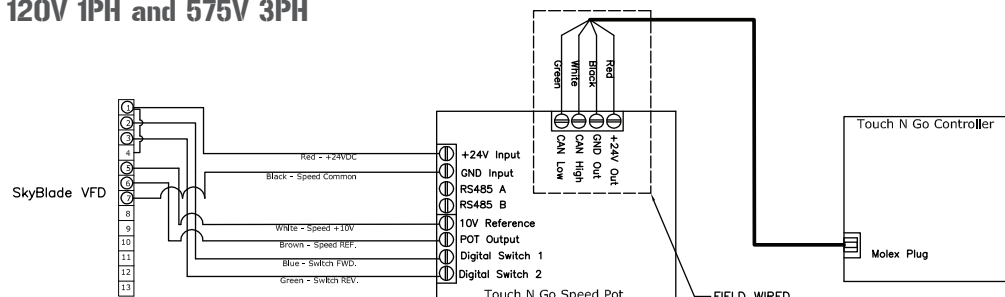


WIRING DIAGRAM

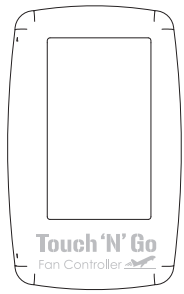
230V 1/3PH and 480V 3PH



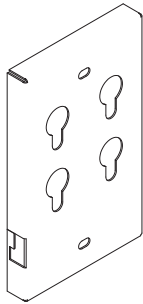
120V 1PH and 575V 3PH



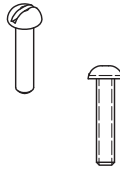
TOUCH 'N' GO PACKAGE CONTENTS



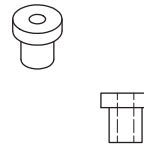
A. TNG Control
(x1)



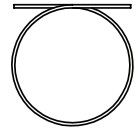
B. Mounting Plate
(x1)



C. #6-32 x 5/8" Flat
Head Screws (x4)



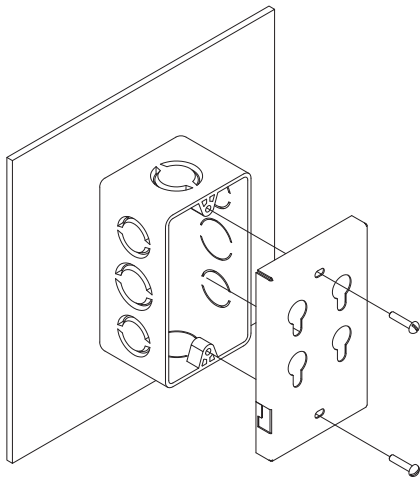
D. Rubber Grommets
(x4)



E. Control Cable
(50 ft)

TOUCH 'N' GO ASSEMBLY

Gang Box Mounting



Wall Mounting

