

ULTRALITE CONTROLLER

ULTRALITE KEY FEATURES

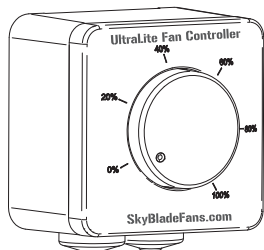


- Easily mounted to wall
- Control each fan individually
- Operate your fans for cooling and destratification
- Manually control each fan's forward speed

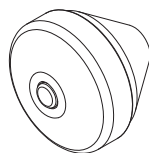
ULTRALITE TECHNICAL SPECIFICATIONS

Power Supply	0-10V DC analog from VFD
Dimensions	3.125" W x 3.125" H x 2.5" D
Weight	0.5 lb.
Language Protocol	0-10v signal
User Interface	Rotary dial
Enclosure	ASA Plastic
Fans/Control	Single fan control
Power Consumption	0.5W power consumption
Connections	5-Core 24 AWG shielded wire (field supplied)
Max Cable Length	300 Ft.
Rating	IP44 (inset), IP54 (surface)

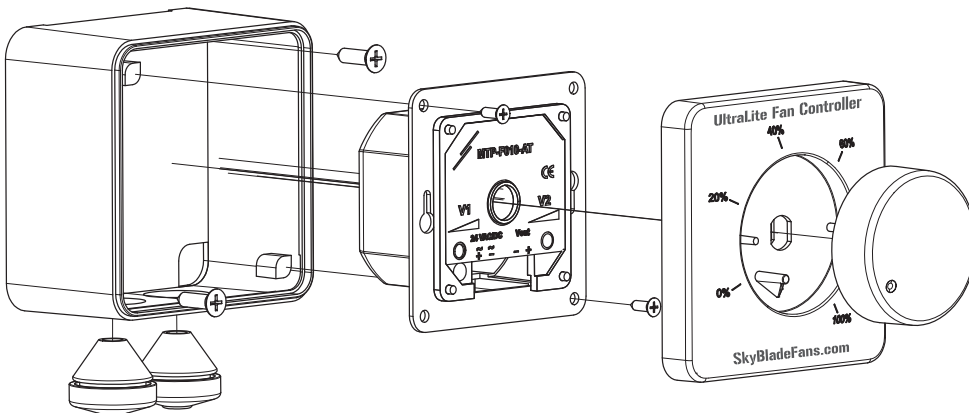
ULTRALITE PACKAGE CONTENTS & ASSEMBLY



A. UltraLite Controller
(x1)



B. Plastic Bushing
(x2)

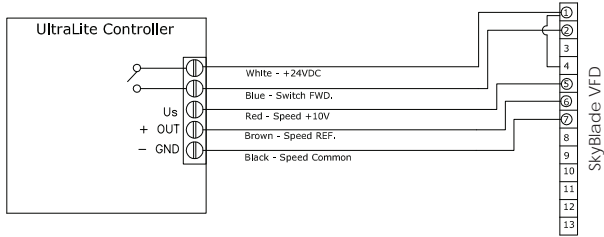


CONTROLLERS

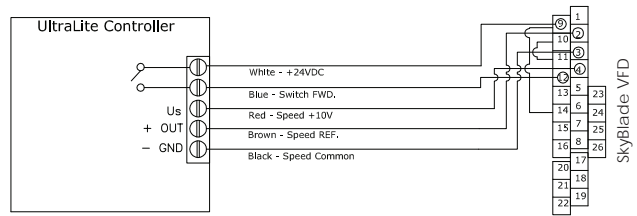
UltraLite Controller

ULTRALITE WIRING DIAGRAM - GEARED DRIVE FAN

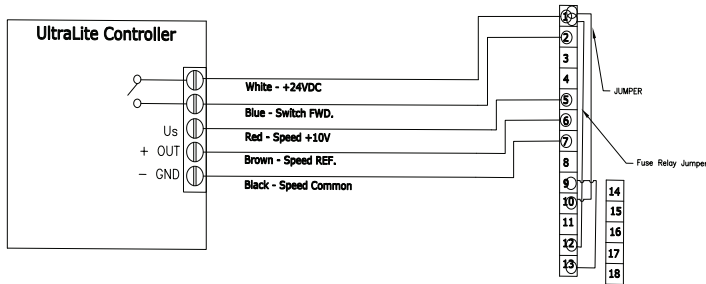
120V/1PH



230V/1PH, 230V/3PH & 460V/3PH



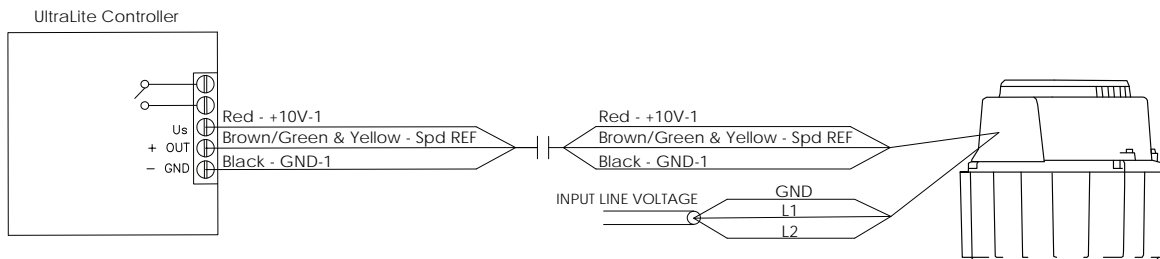
575V/3PH



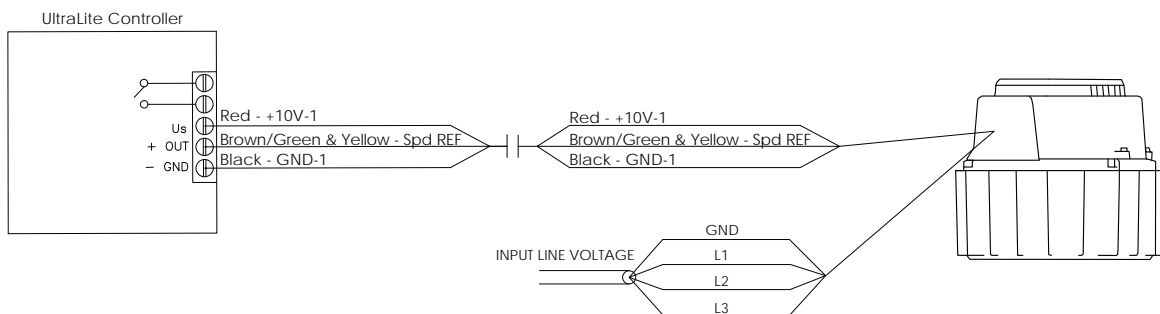
ULTRALITE WIRING DIAGRAM - DIRECT DRIVE FAN

NOTE: Blue and White wire is required to be capped separately down by the controller

120V/1 PH & 230V/1PH



230V/3 PH, 460V/3 PH & 575V/3PH



SkyBlade Fan Company | Where Form Follows Function

24501 Hoover Road, Warren, Michigan 48089 USA
 +1 (586) 806-5107 | sales@skybladefans.com
 www.SkyBladeFans.com

Concurrent with our continuing product improvement program, specifications are subject to change without notice. Please contact SkyBlade Fan Company for latest information. Some features illustrated may be optional in certain market areas.

