

## VLD CONTROLLER

### VLD KEY FEATURES

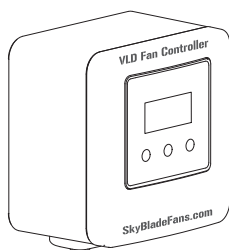


- Easily mounted to wall.
- Control each fan individually.
- Operate your fans for cooling and destratification.
- Manually control each fan's forward speed.
- 3-digit, 7-segment display and 3-button keyboard interface.

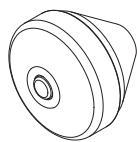
### VLD TECHNICAL SPECIFICATIONS

<b>Power Supply</b>	110-230 VAC $\pm$ 10%/50-60 Hz (field supplied)
<b>Dimensions</b>	3.125" W x 3.125" H x 2.25" D
<b>Weight</b>	0.5 lb.
<b>Language Protocol</b>	0-10v signal
<b>User Interface</b>	Digital
<b>Enclosure</b>	ASA plastic
<b>Fans/Control</b>	Single fan control
<b>Power Consumption</b>	0.5W power consumption
<b>Connections</b>	2-Core 24 AWG shielded wire (field supplied)
<b>Max Cable Length</b>	300 Ft.
<b>Rating</b>	IP44 (inset), IP54 (surface)

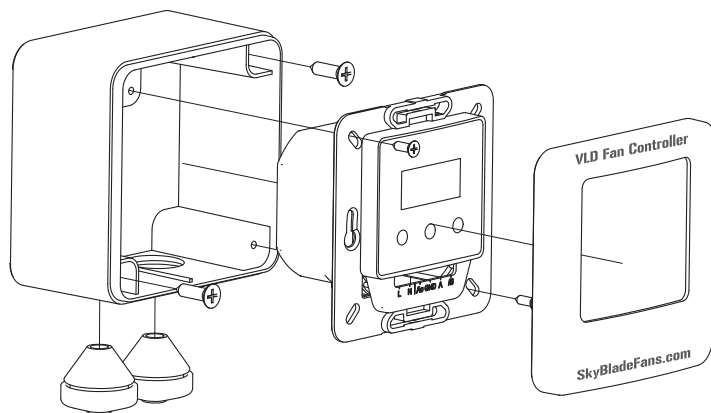
### VLD PACKAGE CONTENTS & ASSEMBLY



A. VLD Controller  
(x1)



B. Plastic Bushing  
(x2)

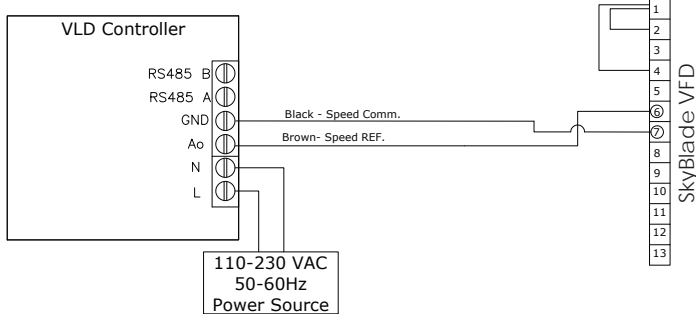


# CONTROLLERS

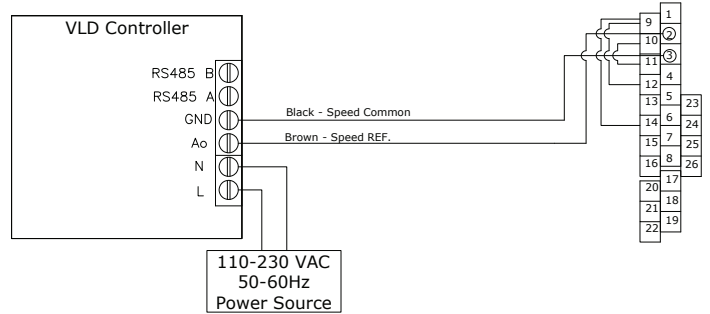
## VLD Controller

### VLD WIRING DIAGRAM - GEARED DRIVE FAN

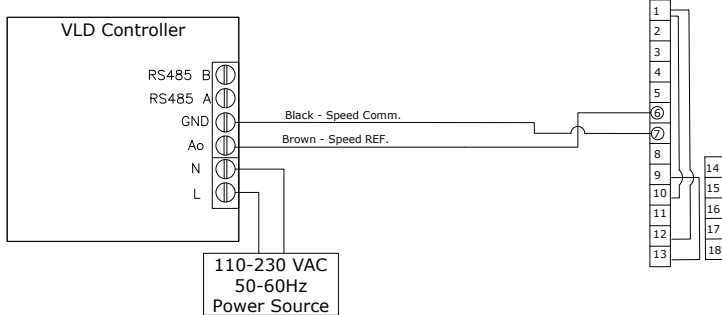
#### 120V/1PH



#### 230V/1PH, 230V/3PH & 460V/3PH



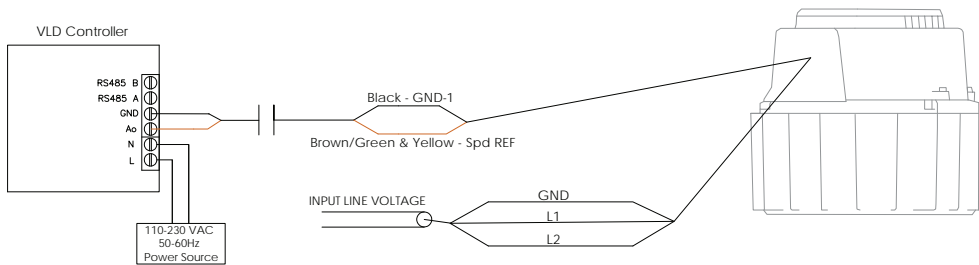
#### 575V/3PH



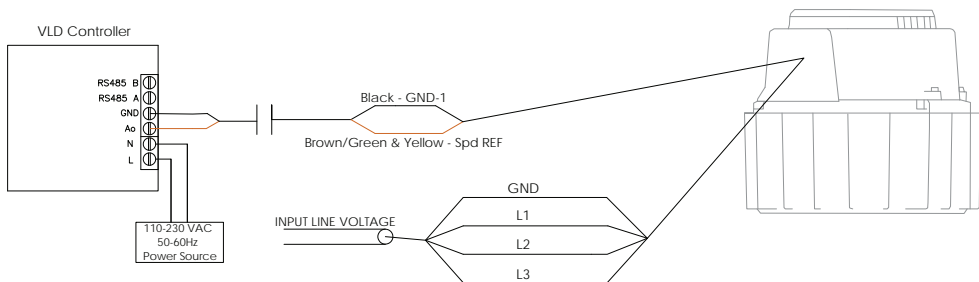
### VLD WIRING DIAGRAM - DIRECT DRIVE FAN

**NOTE:** Blue and White wire is required to be capped separately down by the controller

#### 120V/1 PH & 230V/1PH



#### 230V/3 PH, 460V/3 PH & 575V/3PH



SkyBlade Fan Company | Where Form Follows Function

24501 Hoover Road, Warren, Michigan 48089 USA  
 +1 (586) 806-5107 | sales@skybladefans.com  
 www.SkyBladeFans.com

Concurrent with our continuing product improvement program, specifications are subject to change without notice. Please contact SkyBlade Fan Company for latest information. Some features illustrated may be optional in certain market areas.

