



Very Light Digital (VLD) Controller

KEY FEATURES

- Easily mounted to wall.
- Control each fan individually.
- Operate your fans for cooling and destratification.
- Manually control each fan's forward speed.
- 3-digit, 7-segment display and 3-button keyboard interface.

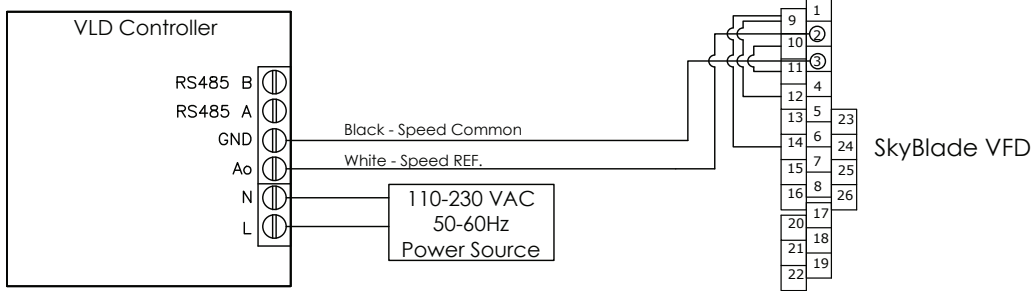


TECHNICAL SPECIFICATIONS

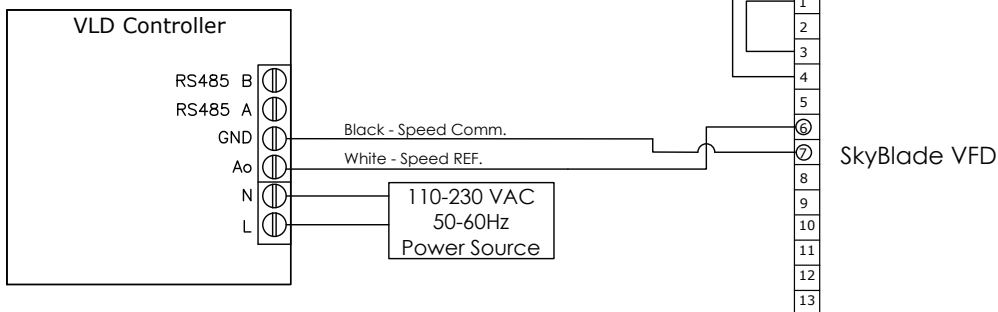
Potentiometer	Digital 0-10V DC signal IP44-54 protection
Connections	110-230 VAC ±10%/50-60 Hz
Enclosure	IP 44(Inset)/IP54 (Surface) ABS plastic Dimensions: 3.1"L x 2.1"W x 3.5"H

WIRING DIAGRAM

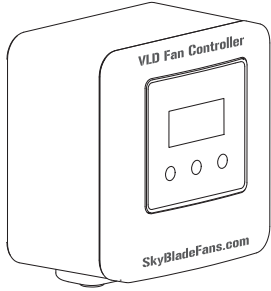
230V 1/3 PH and 480V 3 PH



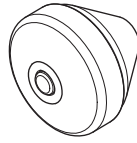
120V 1 PH and 575V 3 PH



VLD PACKAGE CONTENTS



A. VLD Controller
(x1)



B. Plastic Bushing
(x2)

VLD ASSEMBLY

