

VERY LIGHT DIGITAL (VLD) CONTROLLER

KEY FEATURES

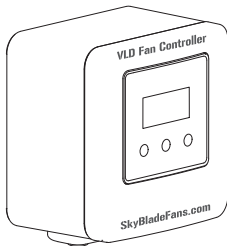


- Easily mounted to wall.
- Control each fan individually.
- Operate your fans for cooling and destratification.
- Manually control each fan's forward speed.
- 3-digit, 7-segment display and 3-button keyboard interface.

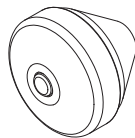
TECHNICAL SPECIFICATIONS

Power Supply	110-230 VAC ±10%/50-60 Hz (field supplied)
Dimensions	3.125" W x 3.125" H x 2.25" D
Weight	0.5 lb.
Language Protocol	0-10v signal
User Interface	Digital
Enclosure	ASA plastic
Fans/Control	Single fan control
Power Consumption	0.5W power consumption
Connections	2-core shielded wire (field supplied)
Max Cable Length	100 Ft.
Rating	IP44 (inset), IP54 (surface)

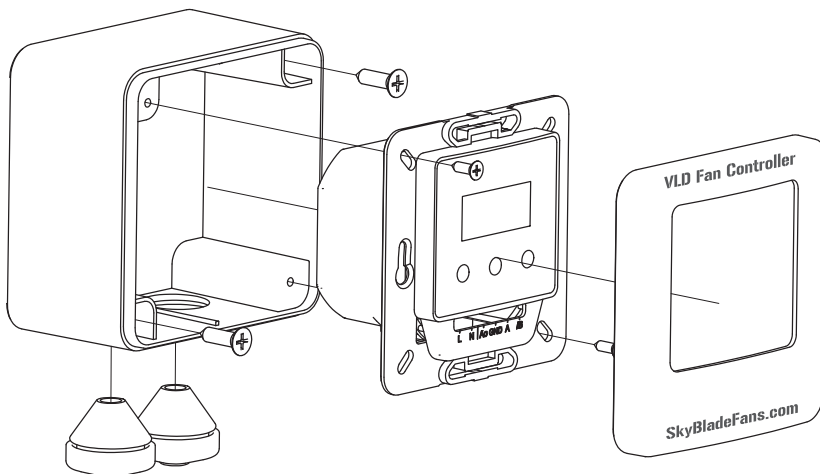
VLD PACKAGE CONTENTS & ASSEMBLY



A. VLD Controller
(x1)

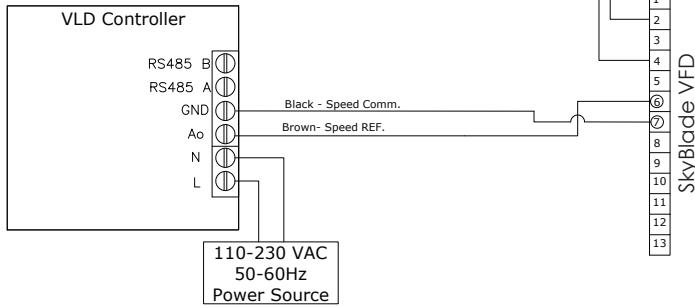


B. Plastic Bushing
(x2)

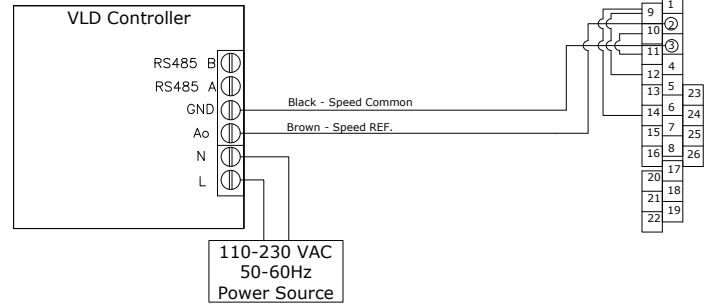


WIRING DIAGRAM - GEARED DRIVE FAN

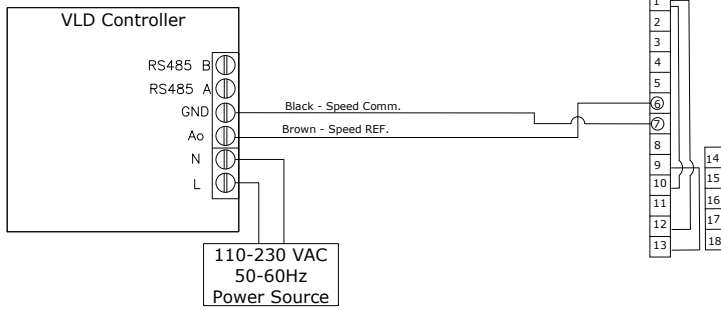
120V/1PH



230V/1PH, 230V/3PH, & 460V/3PH

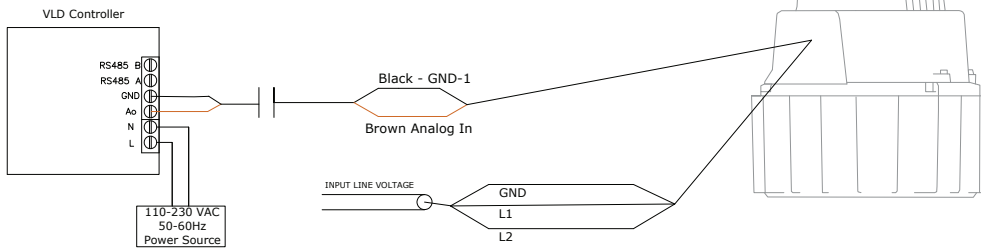


575V/3PH



WIRING DIAGRAM - DIRECT DRIVE FAN

120V/1 PH & 230V/1PH



230V/3 PH & 460V/3 PH

